

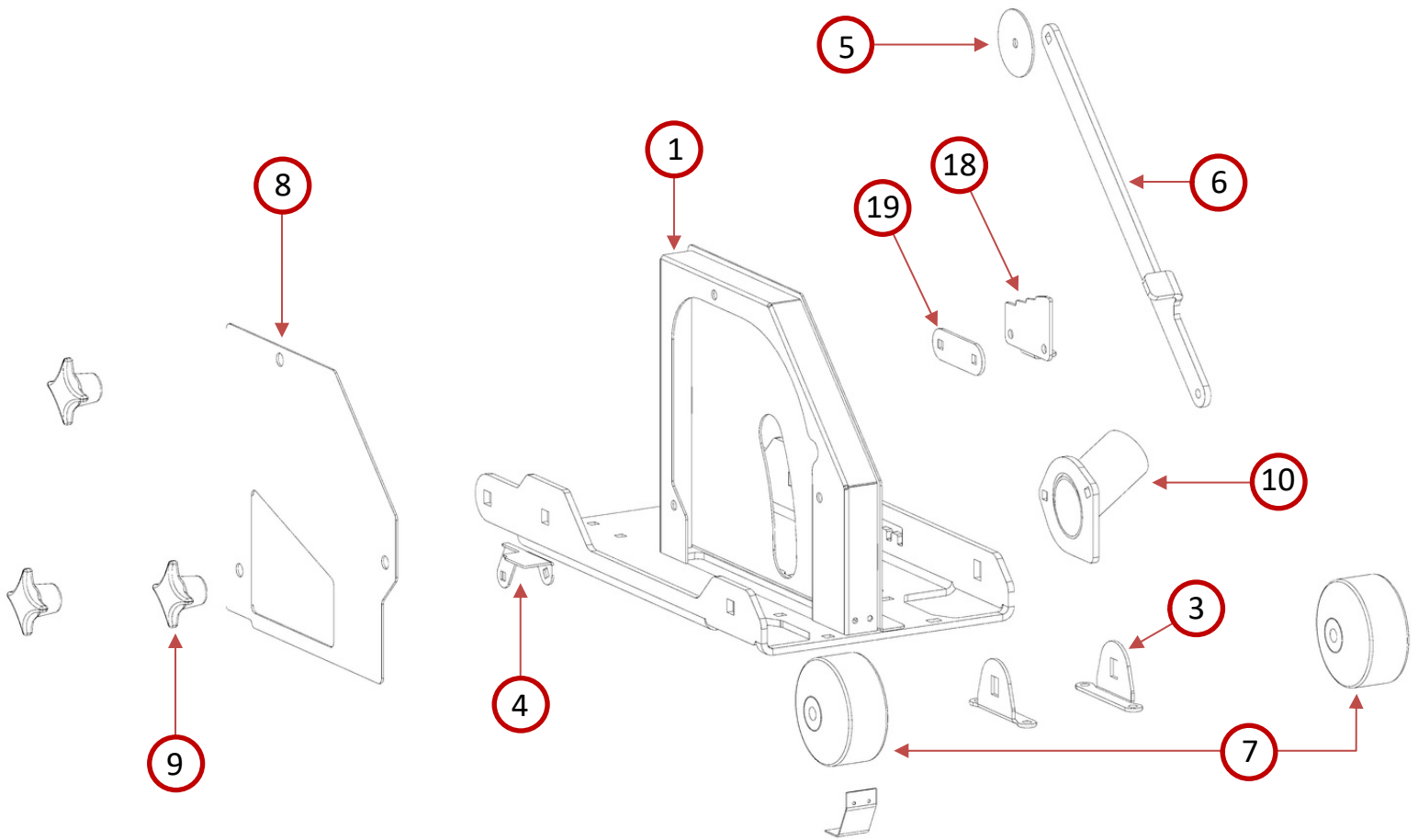
GorillaConcreteTools

GCT-10 Tank

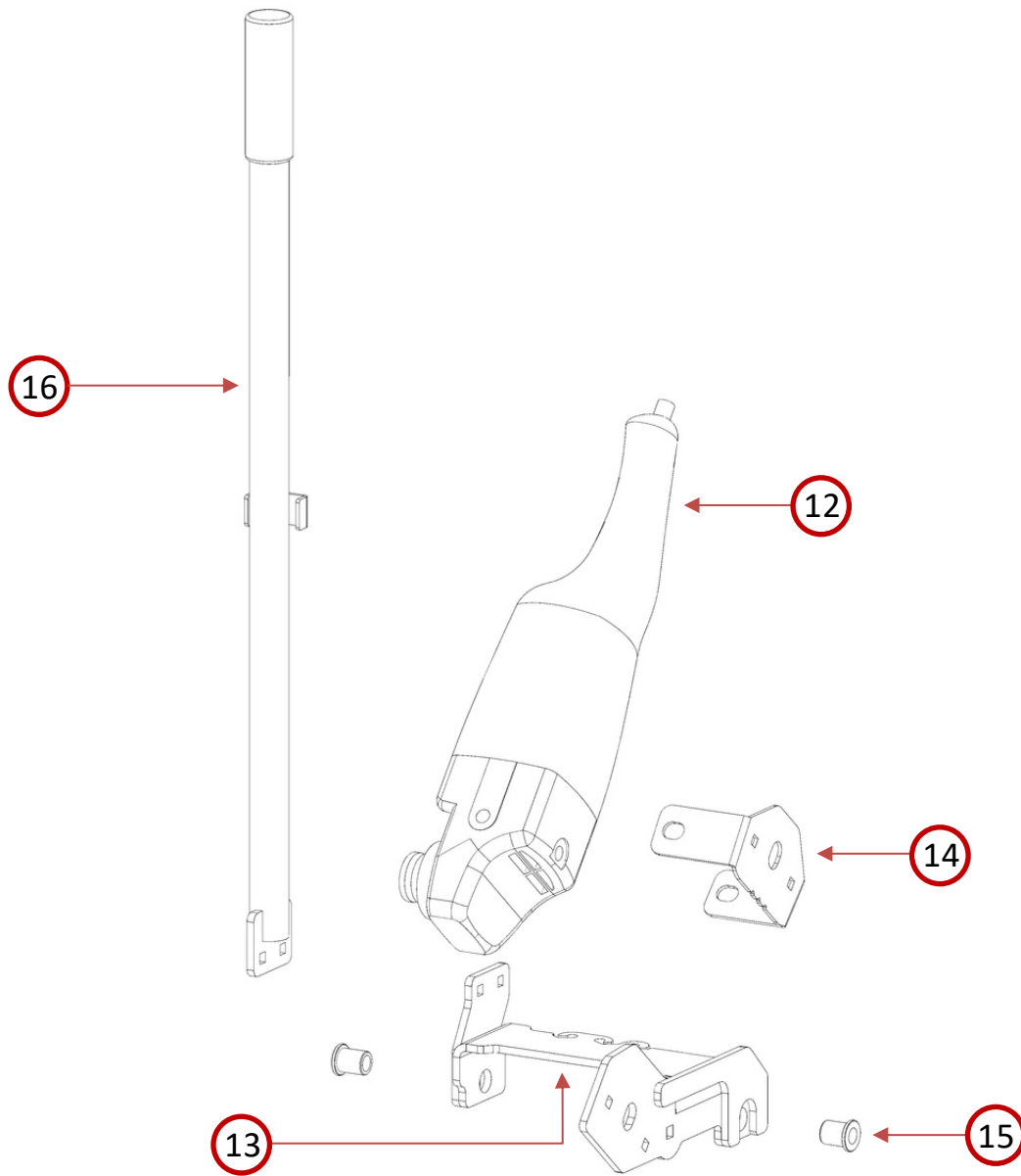
Product Manual



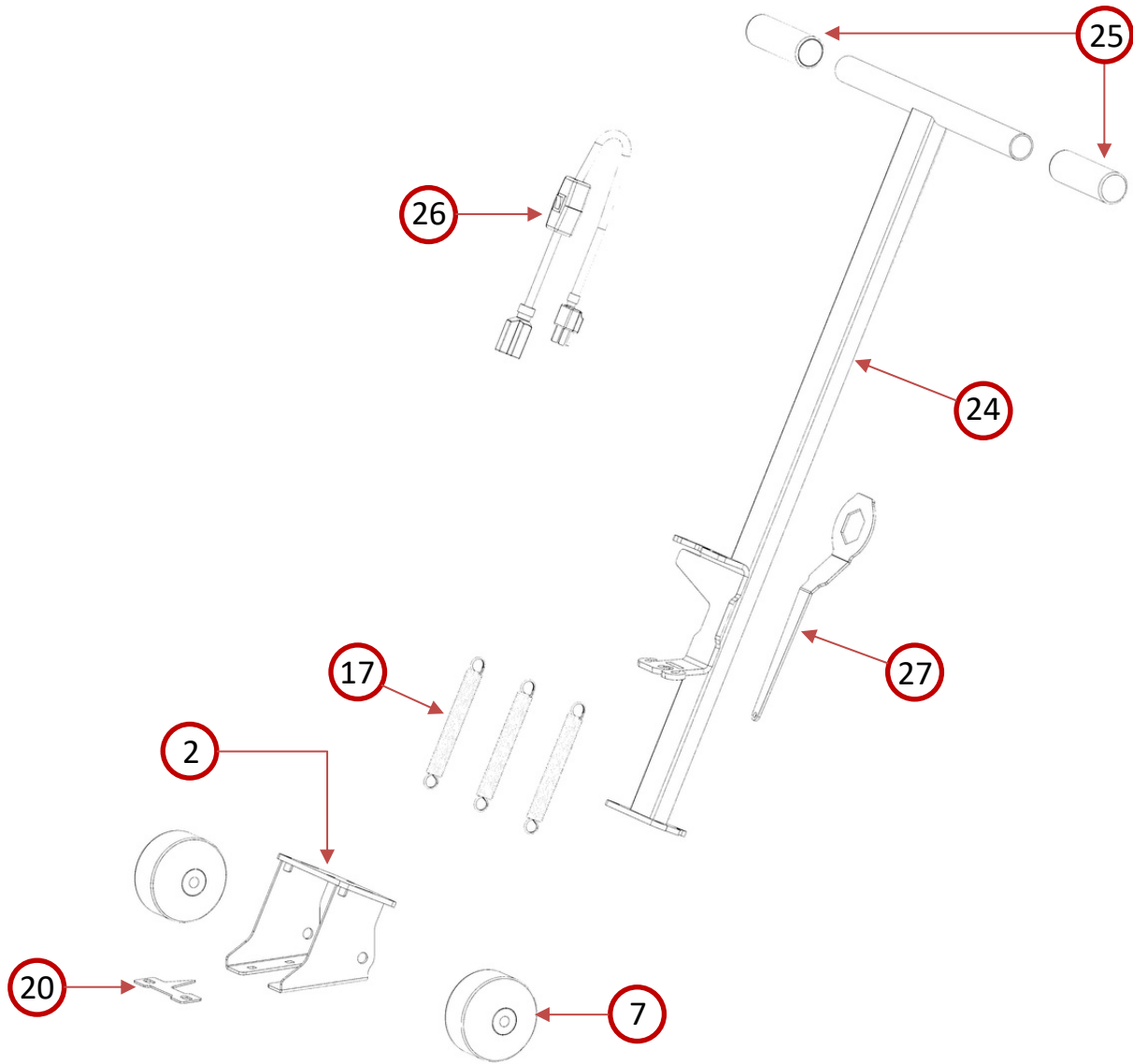
Parts Diagram



Part #	Description
10 - 1.2	Saw Base
10 - 2.2	Handle/Rear Wheel Mount
10 - 3.2	Front Wheel Mount
10 - 4.2	Dust Box Baffle
10 - 5.2	Blade Pointer
10 - 6.2	Pointer arm
10 - 7	Wheels (sold individually)
10 - 8.2	Blade Guard
10 - 9	4-Arm Knob
10 - 10.2	Dust Port
10 - 11.2	Rubber Dust Deflector
10 - 18.2	Depth Stop
10 - 19.2	Depth Stop Backer
10 - 20.2	Rear Blade Pointer
10 - 21	Blade clamp set (Not Shown)
UWK - 3	Wrench kit with Blade Clamp (Not Shown)



Part #	Description
10 – 12	Powerhead
10 – 13.2	Motor Pivot Plate
10 – 14.2	Motor Mount
10 – 15.2	Pivot Plate Bushing
10 – 16.2	Lift/Lower Handle
10 – 17	Tension Spring



Part #	Description
10 – 24.2	Saw Handle
10 – 25	Handle Grips (sold individually)
10 – 26	Electrical Box
10 – 27	Blade Wrench
10 – 28.2	Complete Handle Assembly

GCT-10 Set Up



Warnings!

These instructions are only intended to show you the set-up of our saw. Do not use until you have been trained on how to properly operate a walk behind concrete saw.



Stay clear of others while in operation. Debris can fly from blade area. Eye and face protection required.



Respirator required. Operate in well ventilated area.



Ear protection required.

Set-Up: Red Arrows (Fig. 1)

1. Install the control and lift handle as shown in Fig. 1. Mount the blade lift handle onto the motor pivot plate. With the bolts finger tight, push the lift handle towards the front of the saw and fully tighten.
2. Attach the 3 supplied extension springs on the motor pivot plate to the handle as shown.
3. Apply the powerhead trigger lock, plug cord into the electrical box

Never leave the unit plugged in while unattended or while replacing the blade



Figure 1

Blade Installation: Green Arrows (Fig. 2)

1. Unplug the power cord from the electrical box. Remove the blade guard using knobs.
2. Remove outer blade clamp and install the blade.
3. Firmly tighten the blade.

We recommend up to a 9" blade maximum



Figure 2

Blade Pointer Alignment: Blue Arrows (Fig. 3)

1. Install blade pointer arm onto saw.
2. With blade pointer arm mounted onto the saw, attach the proper blade. Ensure that the front and rear blade pointers are in alignment using a known straight edge.

Feature Call Outs: Yellow Arrows (Fig. 2 & 3)

- Quick Blade Depth Stop
- Wrench Storage on Handle
- High Visibility Blade Sight Window

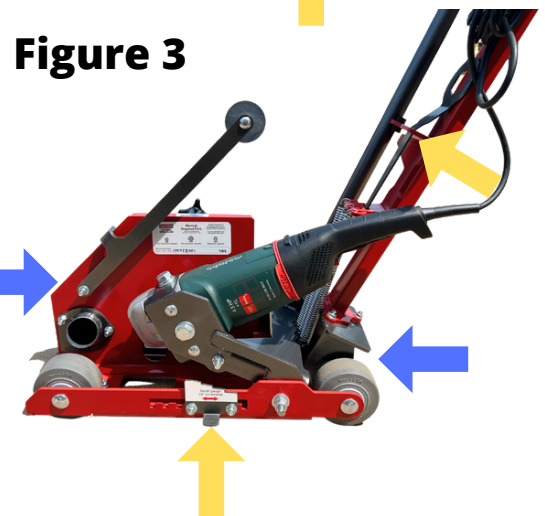


Figure 3