

2020

CC-6 Parts Diagram

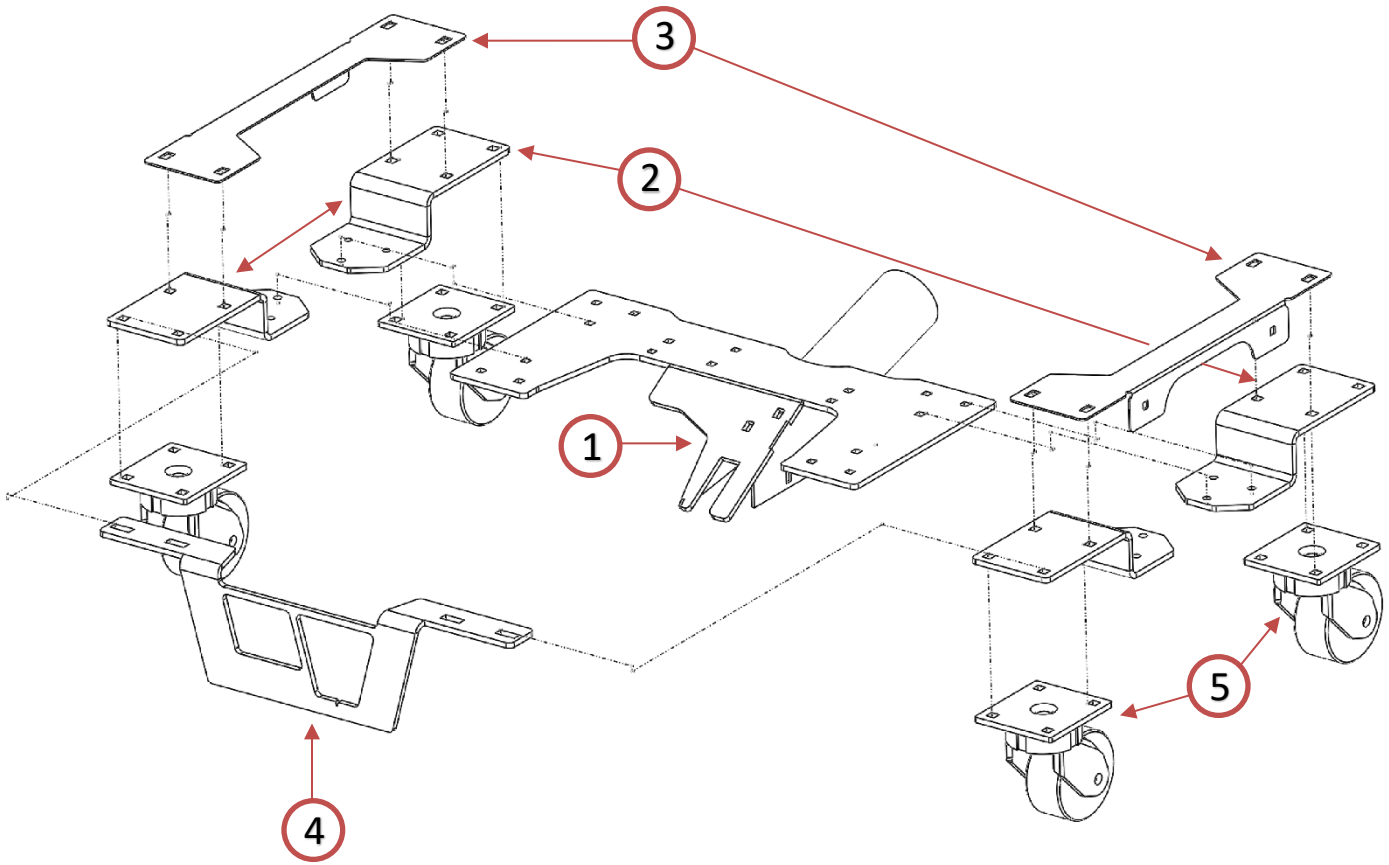
Gorilla Concrete Tools

An OBHC Inc. Company

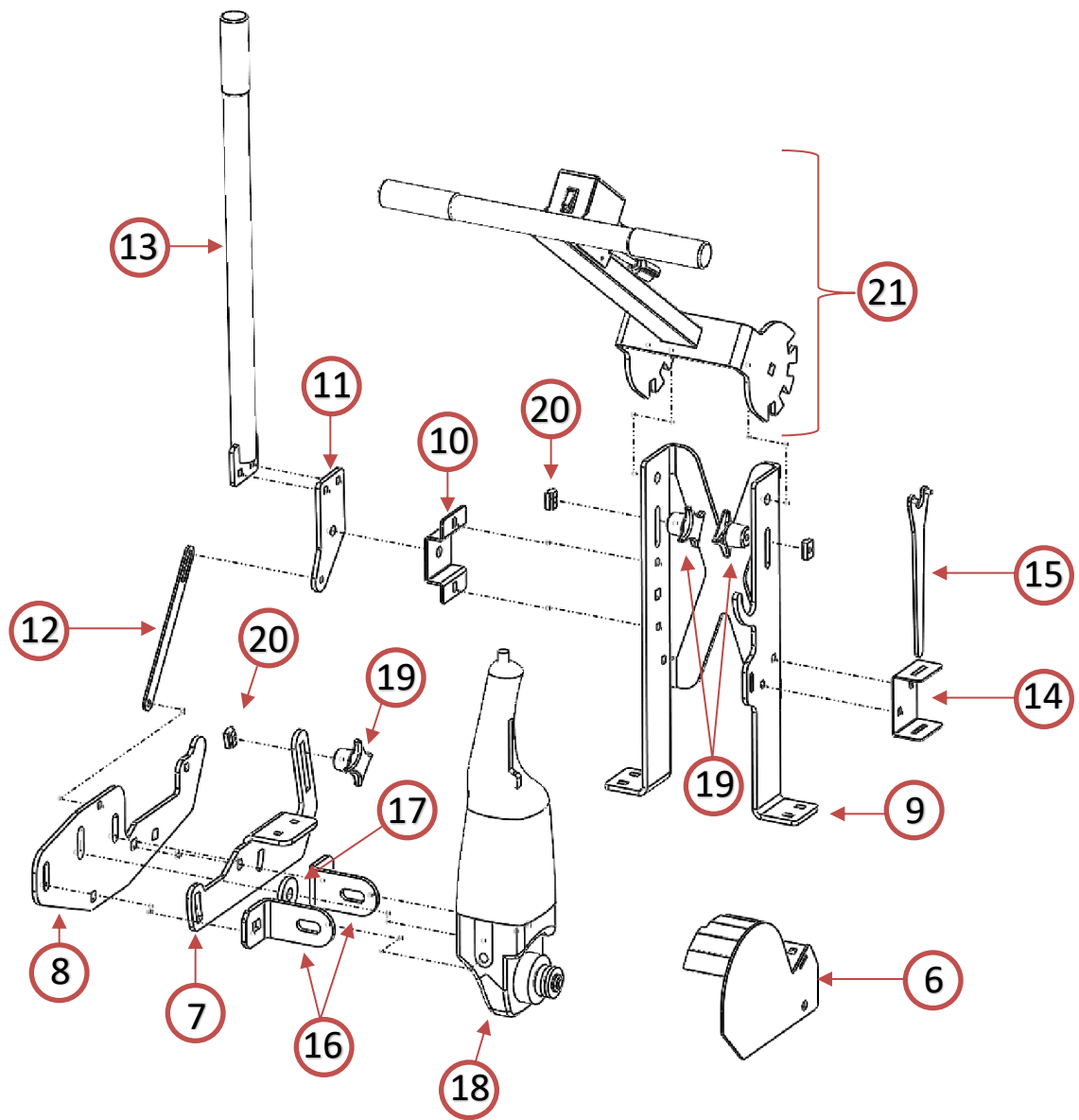
33549 Royalton Road, Unit 9

Columbia Station, OH 44028

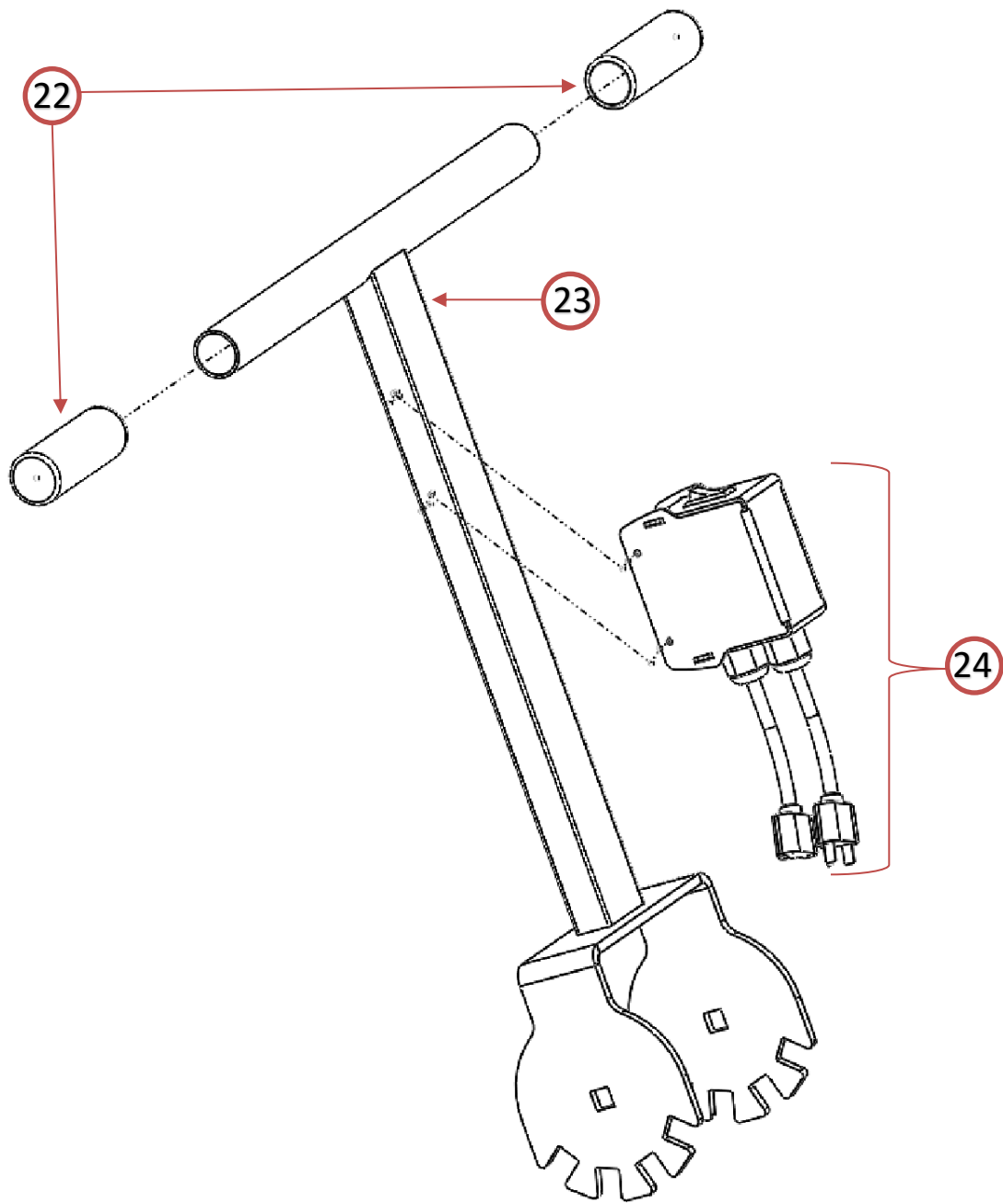
(440)236-5112



Part number	Description
6 – 1	Saw Base
6 – 2	Wheel mounts
6 – 3	Chassis brace
6 – 4	Toe guard
6 – 5	4x2 Casters
6 – 6	Caster Lock (not shown)



Part number	Description
6 – 6	Blade guard
6 – 7	Pivot mounting plate
6 – 8	Pivot plate
6 – 9	Handle mount
6 – 10	Lift Handle linkage mount
6 – 11	Lift handle mounting plate
6 – 12	Lift/lower linkage
6 – 13	Lift Handle
6 – 14	Wrench holder
6 – 15	Blade wrench
6 – 16	Grinder mount
6 – 17	Grinder spacer
6 – 18	Grinder
6 – 19	4-arm knob
6 – 20	t-nut stop
6 – 21	Handle assembly



Part number	Description
6 – 22	Handle Grips
6 – 23	Handle
6 – 24	Electrical box assembly

Additional Equipment

Part number	Description
6 - 30	Maintenance kit
6 - 31	Factory Decal Set