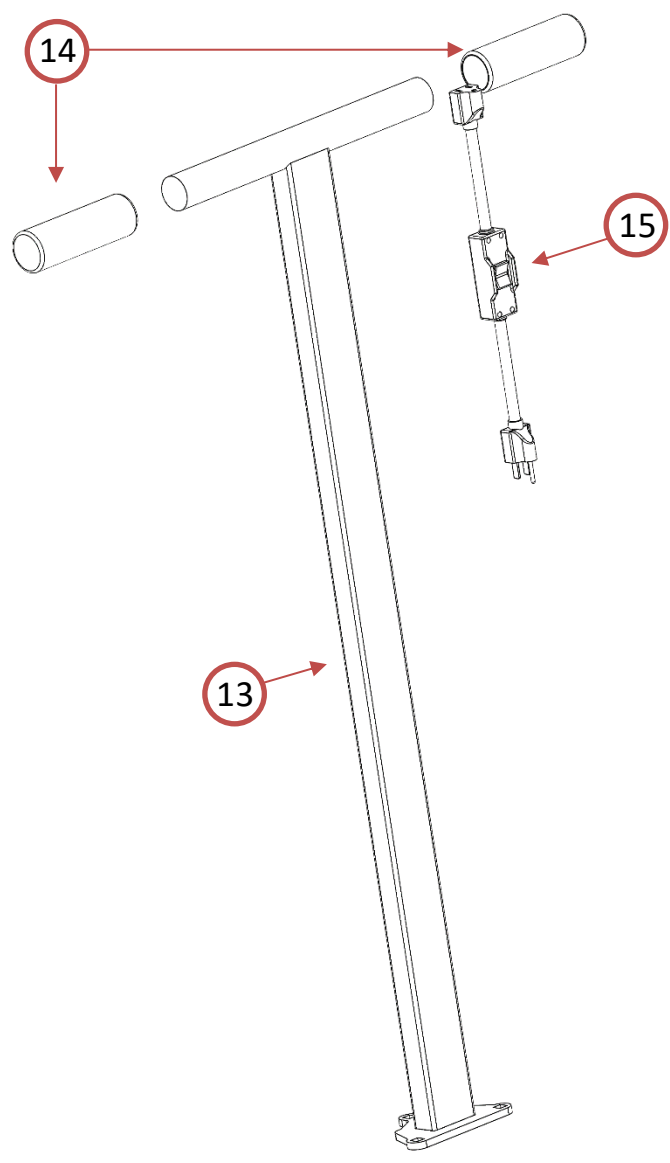


Part #	Description
4.5 – 1	Main Base
4.5 – 2	Caster Wheel Lock
4.5 – 3	Caster Wheel
4.5 – 4	Grinder Mount
4.5 – 5	Motor
4.5 – 6	Dust Guard
4.5 – 7	Front Wheel
4.5 – 8	4.5" Crack Chasing Blade
4.5 – 9	Motor Retention Strap (Not Pictured)



Part #	Description
4.5 – 13	Saw Handle
4.5 – 14	Handle Grip
4.5 – 15	Electrical Box   On/off switch
4.5 – 16	Handle Assembly