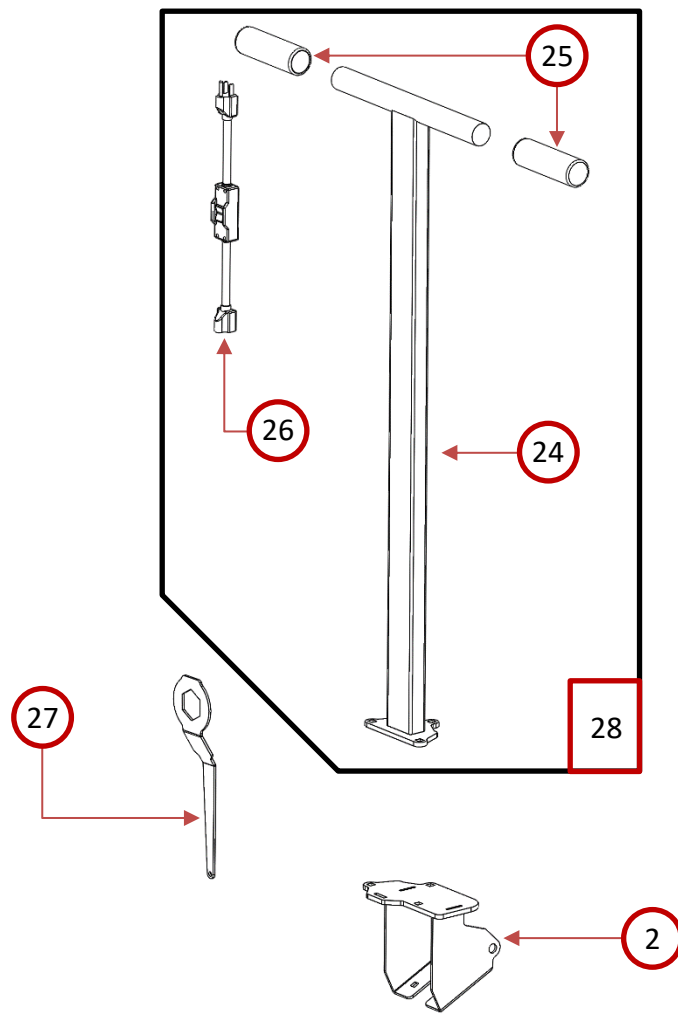


Part #	Description
10 – 1	Saw Base
10 – 2	Handle/Rear Wheel Mount
10 – 3	Adjustable Front Wheel Mount
10 – 4	Motor Foot Lock Mount
10 – 5	Motor Foot Lock
10 – 6	Blade Pointer
10 – 7	Wheels (sold individually)
10 – 8	Blade Guard
10 – 9	4-Arm Knob
10 – 10	Hole Plug
10 – 11	Rubber Dust Deflector (Not Shown)
10 – 12	Powerhead
10 – 13	Motor Mounting Plate
10 – 14	Motor Mount
10 – 15	Center Motor Mount
10 – 16	Lift/Lower Handle
10 – 17	Tension Spring
10 – 18	Depth Stop
10 – 19	Detent Pin
10 – 20	Optional Wide Joint Clean-Out Dust Box (Not Shown)



Part #	Description
10 - 24	Saw Handle
10 - 25	Handle Grips (sold individually)
10 - 26	Electrical Box
10 - 27	Blade Wrench
10 - 28	Complete Handle Assembly