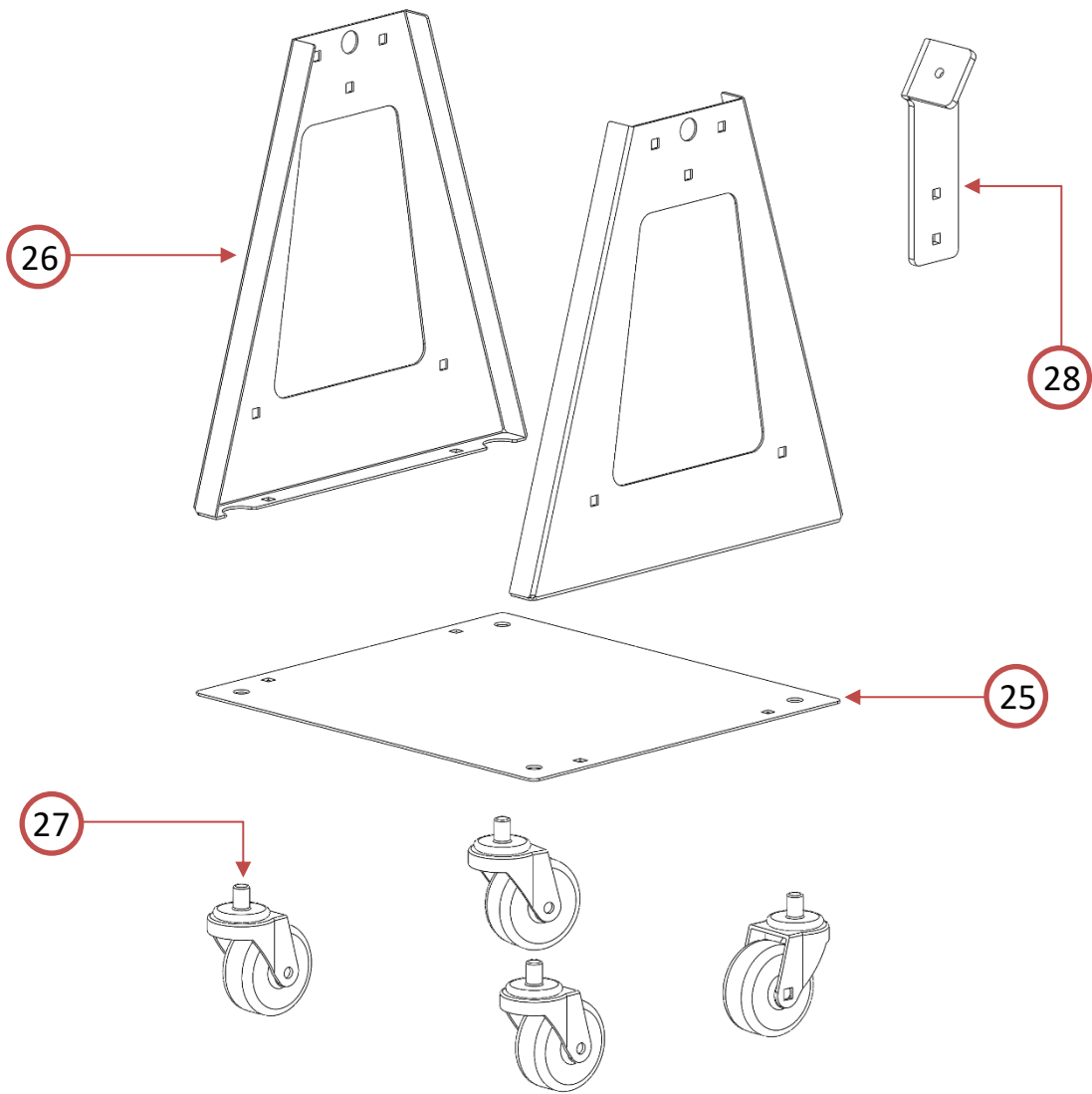
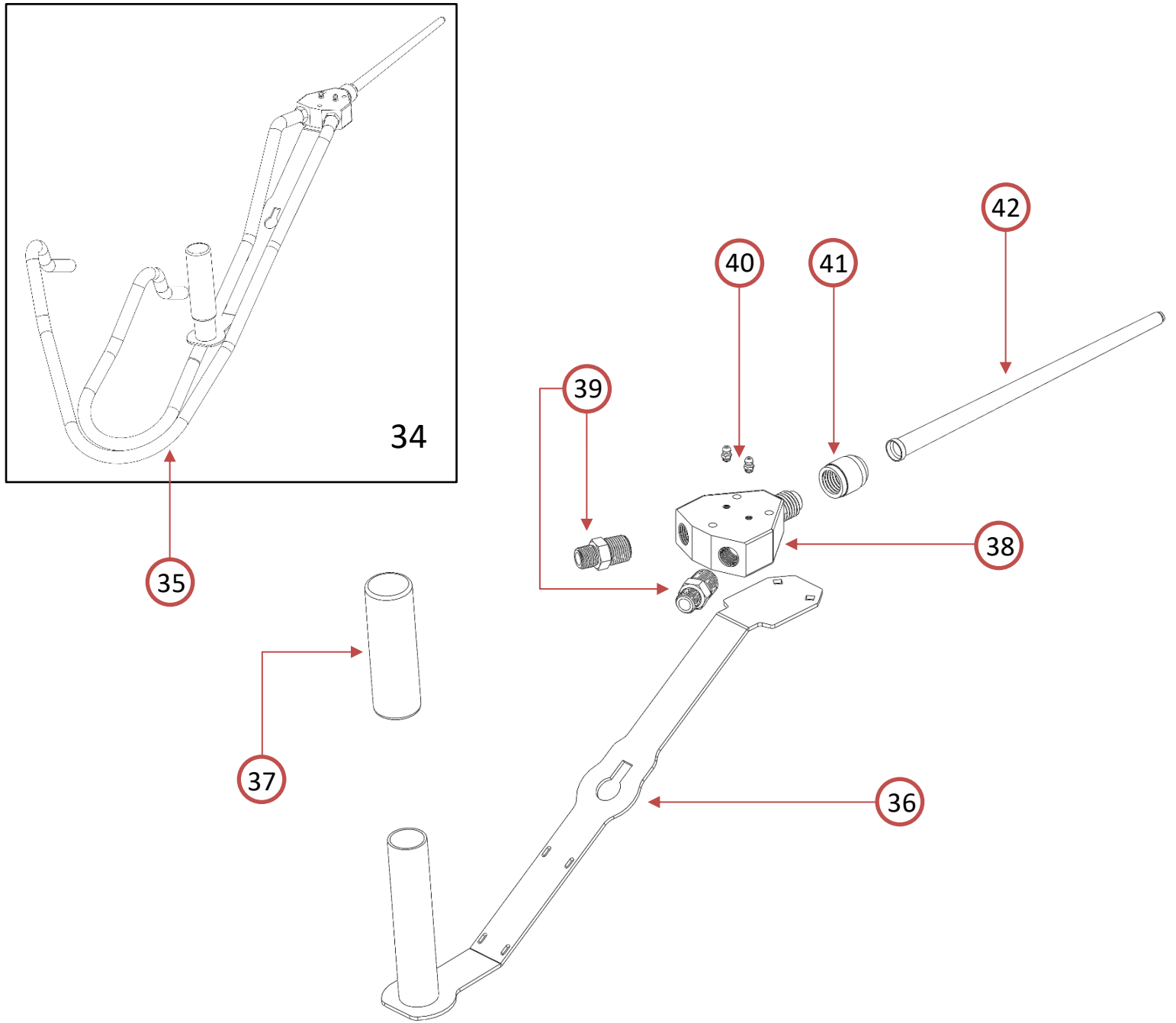


Part Number	Description
MP – 1	Pump Mounting Plate
MP – 2	Gear Pump (Sold Individually)
MP – 3	Shaft Bearing (Sold Individually)
MP – 4	Bearing Mount
MP – 5	Drive Shaft
MP – 6	Drive Sprocket
MP – 7	Idler Sprocket
MP – 8	Gear Pump Sprockets
MP – 9	Drive Chain
MP – 10	Chain Cover
MP – 11	Bearings Cover
MP – 12	Pump Outlet Fittings

Part Number	Description
MP – 13	Pump Inlet Fittings
MP – 14	Elbow Fitting
MP – 15	Hopper Threaded pipe
MP – 16	Stainless Steel Material Hopper
MP – 17	Hopper Lid
MP – 18	Lid Holder Mounting Rod
MP – 19	Hopper Lid Holder
MP – 20	Drill Mixer Mount
MP – 21	Idler Sprocket Spacer (Not Pictured)
MP – 22	Hopper Debris Filters (Not Pictured)



Part Number	Description
MP – 25	Pump Support Base Plate
MP – 26	Pump Supports
MP – 27	Swivel Caster
MP – 28	Wand Mount



Part Number	Description
MP – 34	Complete Wand Assembly
MP – 35	Braided Dispensing Hose
MP – 36	Dispensing Wand
MP – 37	Grip
MP – 38	Coarse Thread Manifold
MP – 39	Manifold Fittings
MP – 40	Grease Fittings
MP – 41	Manifold Nut
MP – 42	Static Mixing Tip
MP – 43	Night Cap (Not Pictured)