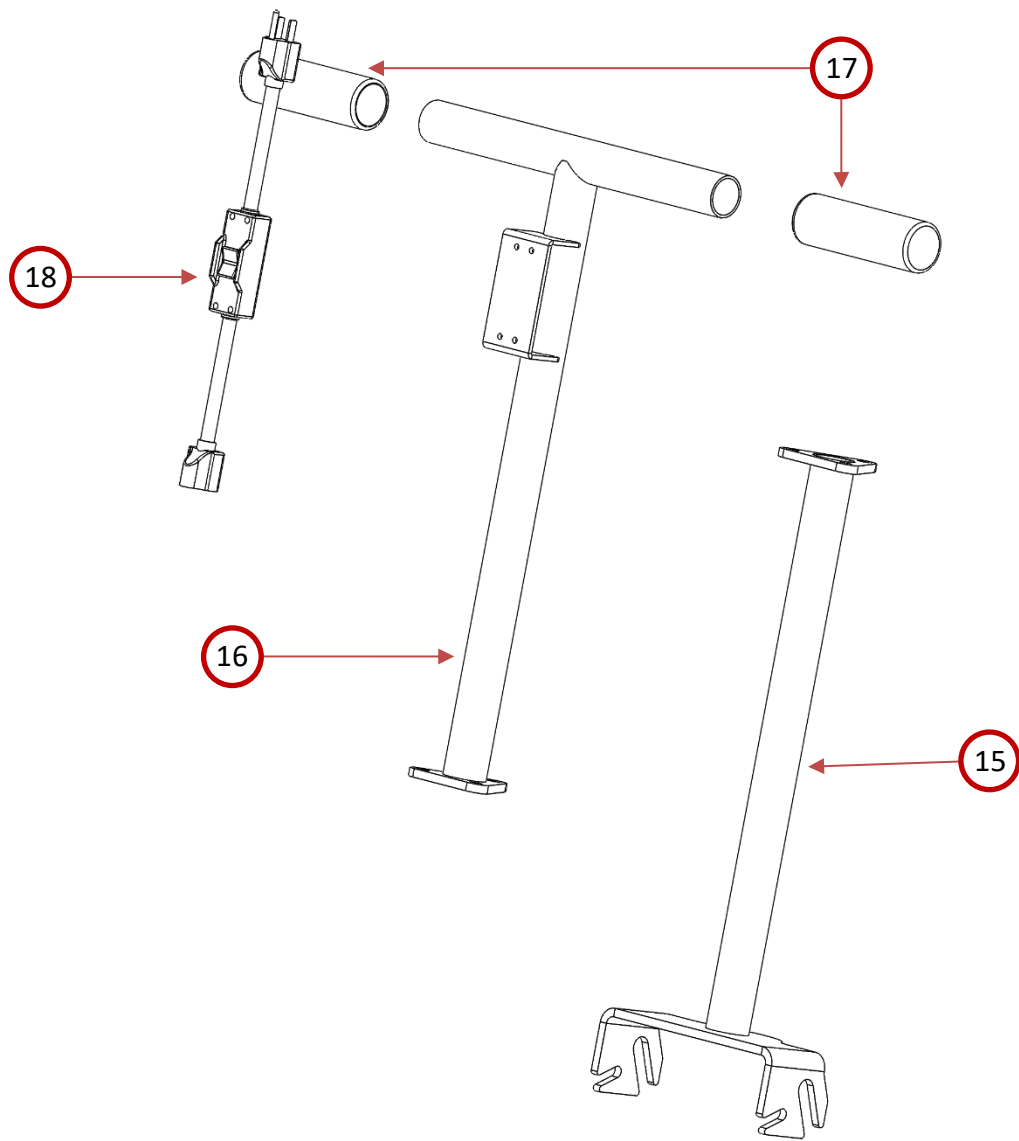


Part #	Description
GMS5 – 1	Saw Base
GMS5 – 2	Wheels (sold individually)
GMS5 – 3	Dust Guard
GMS5 – 4	Handle Alignment Tab
GMS5 – 5	Motor Pivot
GMS5 – 6	Motor Mount
GMS5 – 7	4-Arm Knobs (sold individually)
GMS5 – 8	Powerhead
GMS5 – 9	Blade Guard
GMS5 – 10	Powerhead Mounting Strap



Part #	Description
GMS5 – 15	Lower Handle
GMS5 – 16	Upper Handle
GMS5 – 17	Handle Grips
GMS5 – 18	Electrical Box
GMS5 – 19	Complete Handle Assembly