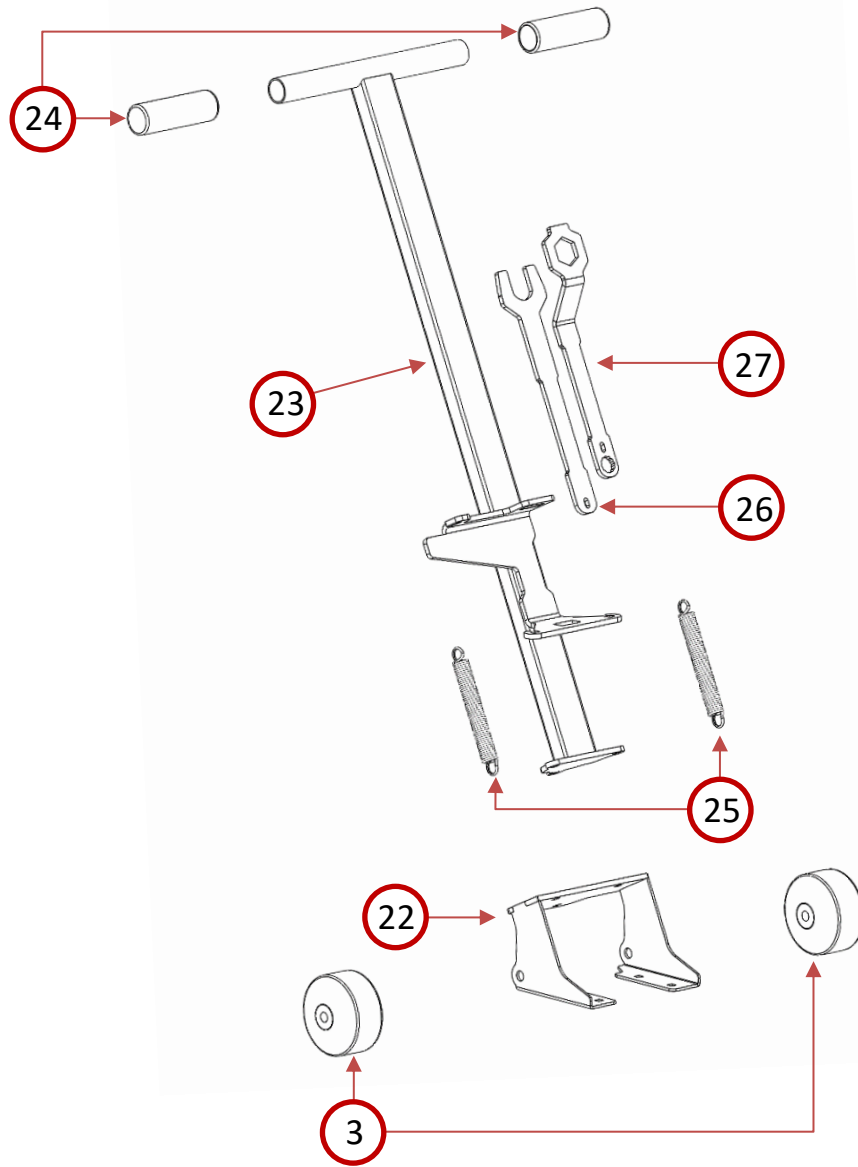
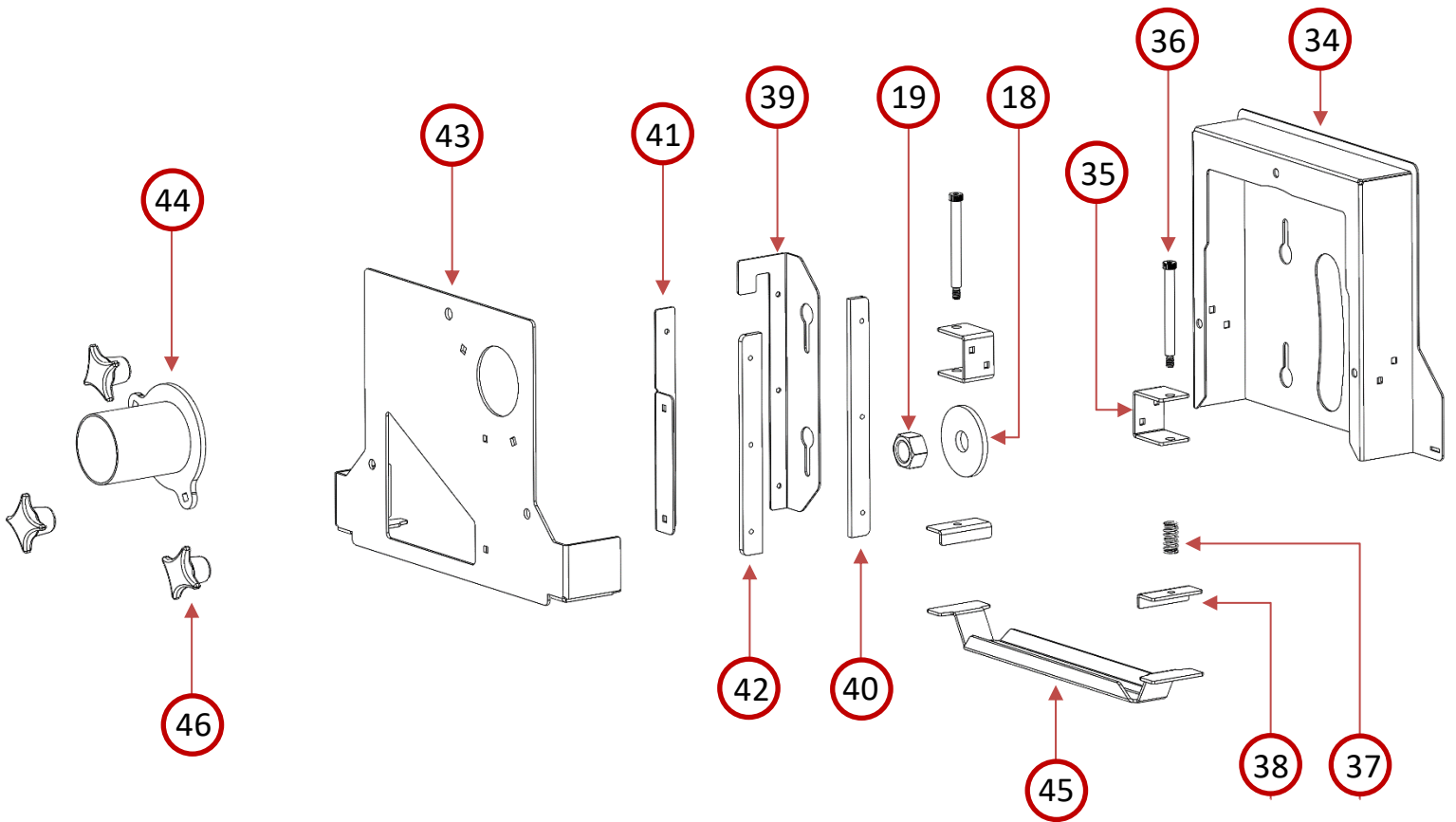


Part Number	Description
GS100 – 1	Saw Base
GS100 – 2	Front Wheel Mount
GS100 – 3	4" Saw Wheel
GS100 – 4	Motor Plate
GS100 – 5	Motor Plate Bushing
GS100 – 6	Blade Shaft Bearing
GS100 – 7	Blade Shaft
GS100 – 8	Blade Shaft Key
GS100 – 9	Blade Shaft Pulley
GS100 – 10	Drive Belt

GS100 – 11	Engine
GS100 – 12	Drive Pulley
GS100 – 13	Belt Cover
GS100 – 14	Lift/Lower Handle
GS100 – 15	Depth Stop Backer
GS100 – 16	Depth Stop
GS100 – 17	Pointer Arm
GS100 – 18	Blade Clamp
GS100 – 19	Blade Shaft Nut
GS100 – 20	Engine Shaft Key



Part Number	Description
GS100 – 22	Handle Mount
GS100 – 23	Saw Handle
GS100 – 24	Handle Grip
GS100 – 25	Motor Plate Tension Spring
GS100 – 26	Blade Shaft Wrench
GS100 – 27	Blade Nut Wrench



Part Number	Description
GS100 – 34	Dust Box
GS100 – 35	Tensioner Slide Mount
GS100 – 36	Tensioner Slide
GS100 – 37	Skid Plate Tensioning Spring
GS100 – 38	Skid Plate Tensioner
GS100 – 39	Dust Box Internal Baffle
GS100 – 40	Internal Baffle Plate
GS100 – 41	Dust Box Door Baffle
GS100 – 42	Door Baffle Plate
GS100 – 43	Dust Box Door
GS100 – 44	Dust Port
GS100 – 45	Skid Plate
GS100 – 46	4-arm knob
GS100 – 47	Dust Port Block Off Plate (not pictured)
GS100 – 48	Complete Dust Box Assembly