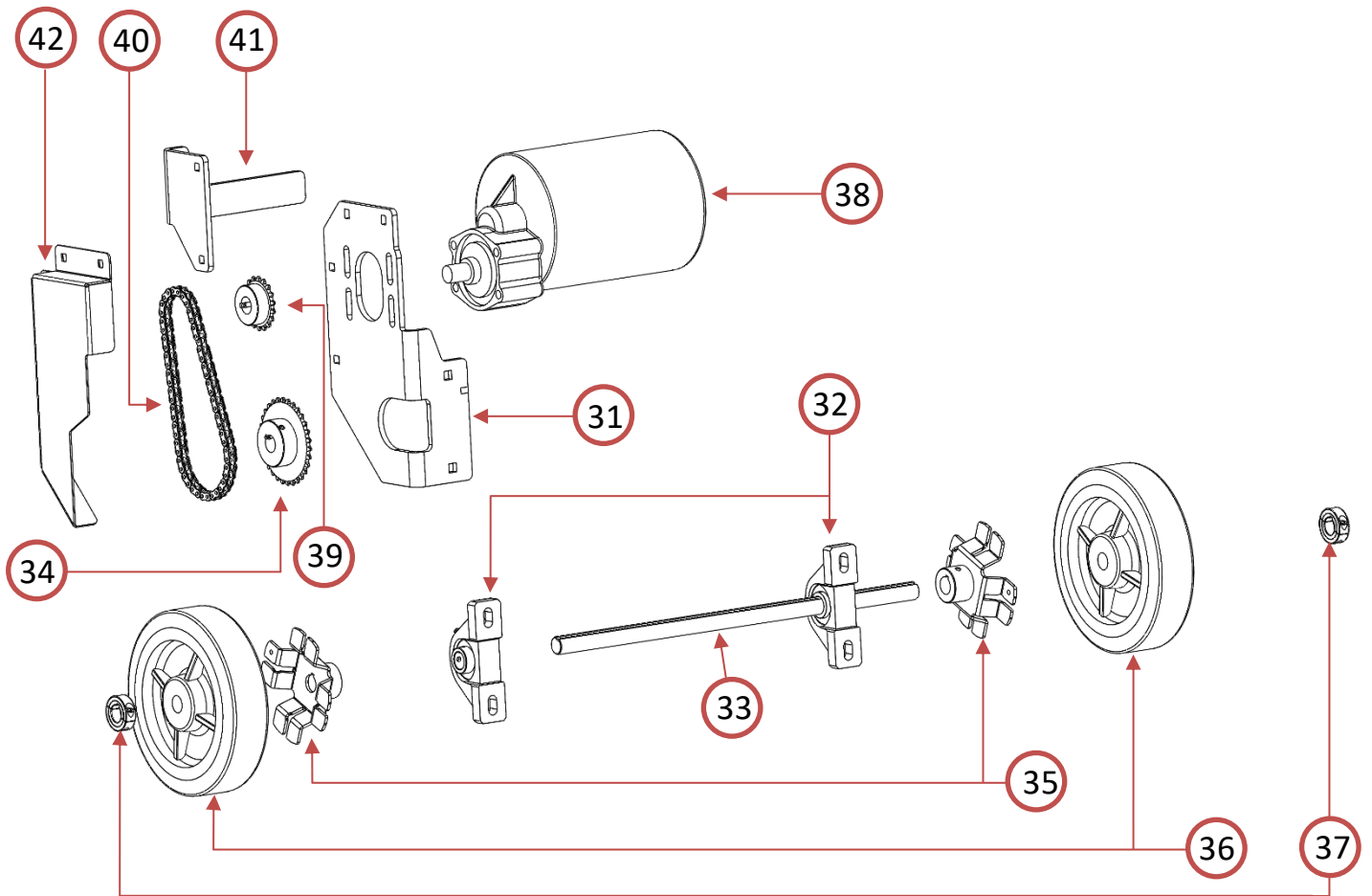


13

Part #	Description	Part #	Description
ST – 1	Saw Base	ST – 16	Front Battery Strap Mount
ST – 2	Handle Upright/Drive Mount	ST – 17	Drive Battery
ST – 3	Handle	ST – 18	Battery Cover
ST – 4	Blade Lifting Arm Mount	ST – 19	Controller Mount
ST – 5	Right Front Wheel Mount	ST – 20	Thumb Switch Mount
ST – 6	Left Front Wheel Mount	ST – 21	Drive Controller
ST – 7	Blade Arm Hard Stop (Qty:2)	ST – 22	Potentiometer
ST – 8	Shaver Blade Mounting Arm	ST – 23	Potentiometer Knob
ST – 9	Front Wheels (Sold Individually)	ST – 24	Rocker Switch
ST – 10	Blade Lifting Cable Mount	ST – 25	Thumb Switch (Sold Individually)
ST – 11	Angled Blade Holder	ST – 26	Controller Cover
ST – 12	Blade Lifting Arm	ST – 27	Handle Grip
ST – 13	Blade Lifting Cable	ST – 28	Battery Strap (Not Pictured)
ST – 14	Dolley wheels (Sold Individually)	ST – 29	Shaver Blades (10 Pack)
ST – 15	Rear Battery Strap Mount		



Part #	Description
ST - 31	Drive Motor Mount
ST - 32	Shaft Bearings (Sold Individually)
ST - 33	Wheel Drive Shaft
ST - 34	Driven Sprocket
ST - 35	Wheel Drive Brackets (Sold Individually)
ST - 36	Rear Wheels (Sold Individually)
ST - 37	Shaft Collars (Sold Individually)
ST - 38	Drive Motor
ST - 39	Drive Sprocket
ST - 40	Drive Chain
ST - 41	Rear Foot Peg
ST - 42	Chain Guard