

2020

WT45 Parts Diagram

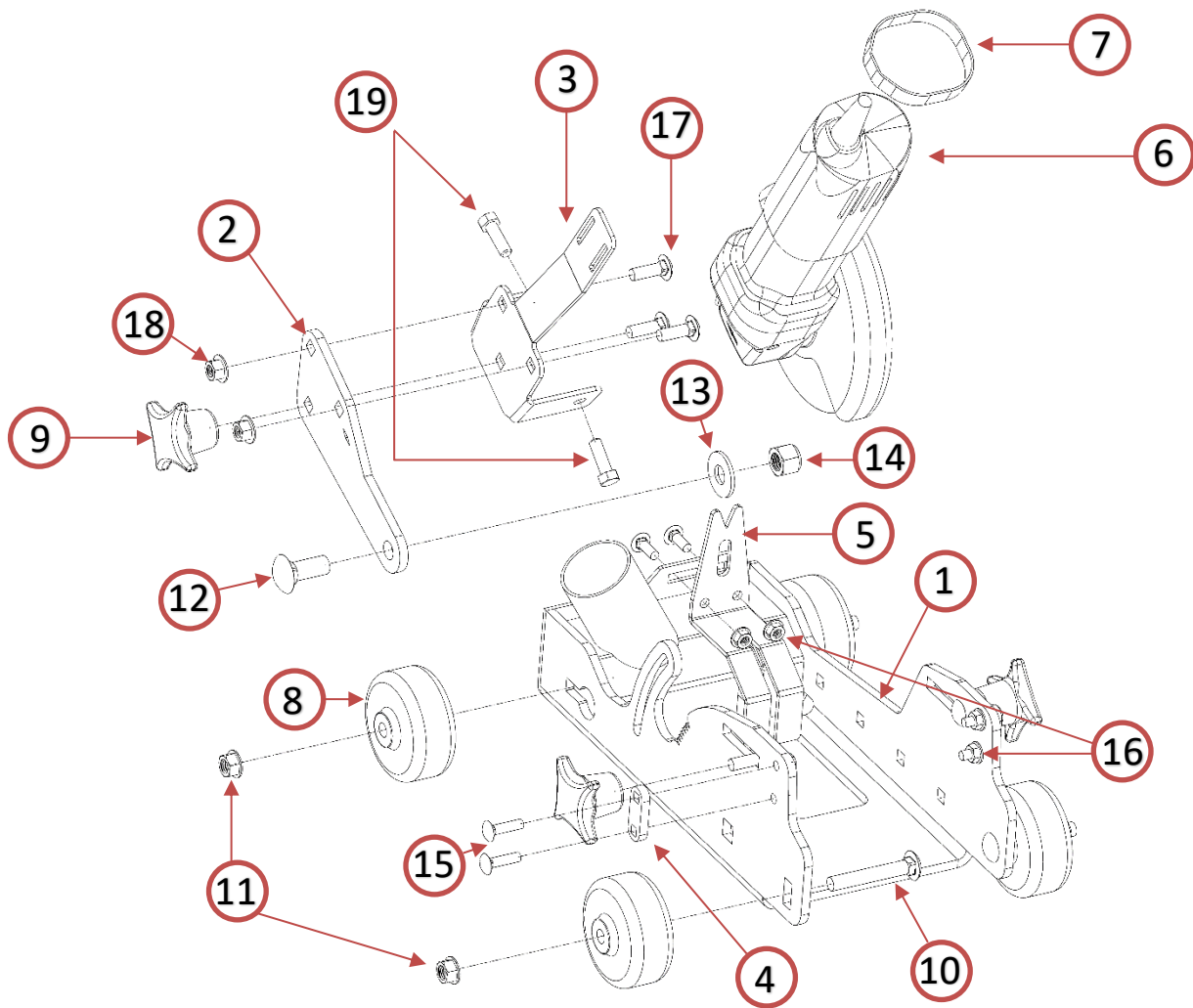
Gorilla Concrete Tools

An OBHC Inc. Company

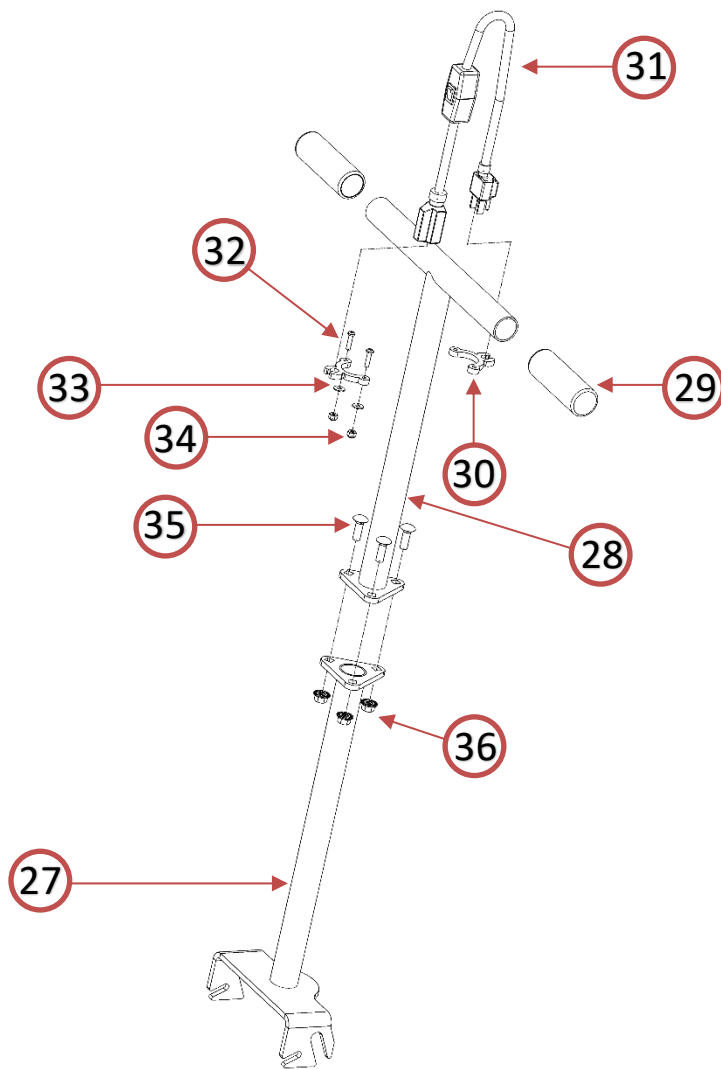
33549 Royalton Road, Unit 9

Columbia Station, OH 44028

(440)236-5112



Part number	Description	Part number	Description
WT45 – 1	Saw base	WT45 – 14	1/2 Nylon lock nut
WT45 – 2	Grinder pivot plate	WT45 – 15	1/4 x 1 C
WT45 – 3	Grinder mount	WT45 – 16	1/4 Serrated lock nut
WT45 – 4	Handle alignment tab	WT45 – 17	5/16 x 1 C
WT45 – 5	Pointer/Dust port	WT45 – 18	5/16 Serrated lock nut
WT45 – 6	Grinder	WT45 – 19	M8 x 1 HH
WT45 – 7	Hold down strap	WT45 – 20	
WT45 – 8	Wheels	WT45 – 21	
WT45 – 9	4-arm knob	WT45 – 22	
WT45 – 10	3/8 x 2.5 C	WT45 – 23	
WT45 – 11	3/8 Serrated Flange	WT45 – 24	
WT45 – 12	1/2 x 1 C	WT45 – 25	
WT45 – 13	½ Flat washer	WT45 – 26	



Part number	Description
WT45 – 27	Lower handle
WT45 – 28	Upper handle
WT45 – 29	Handle Grip
WT45 – 30	Cord Hold
WT45 – 31	Electrical cord
WT45 – 32	M6 machine screw
WT45 – 33	M6 flat washer
WT45 – 34	M6 nylon lock nut
WT45 – 35	5/16 x 1 C
WT45 – 36	5/16 Serrated lock nut
WT45 – 37	
WT45 – 38	
WT45 – 39	

Optional Equipment

Part number	Description
WT45 – 42	
WT45 – 43	
WT45 – 44	
WT45 – 45	