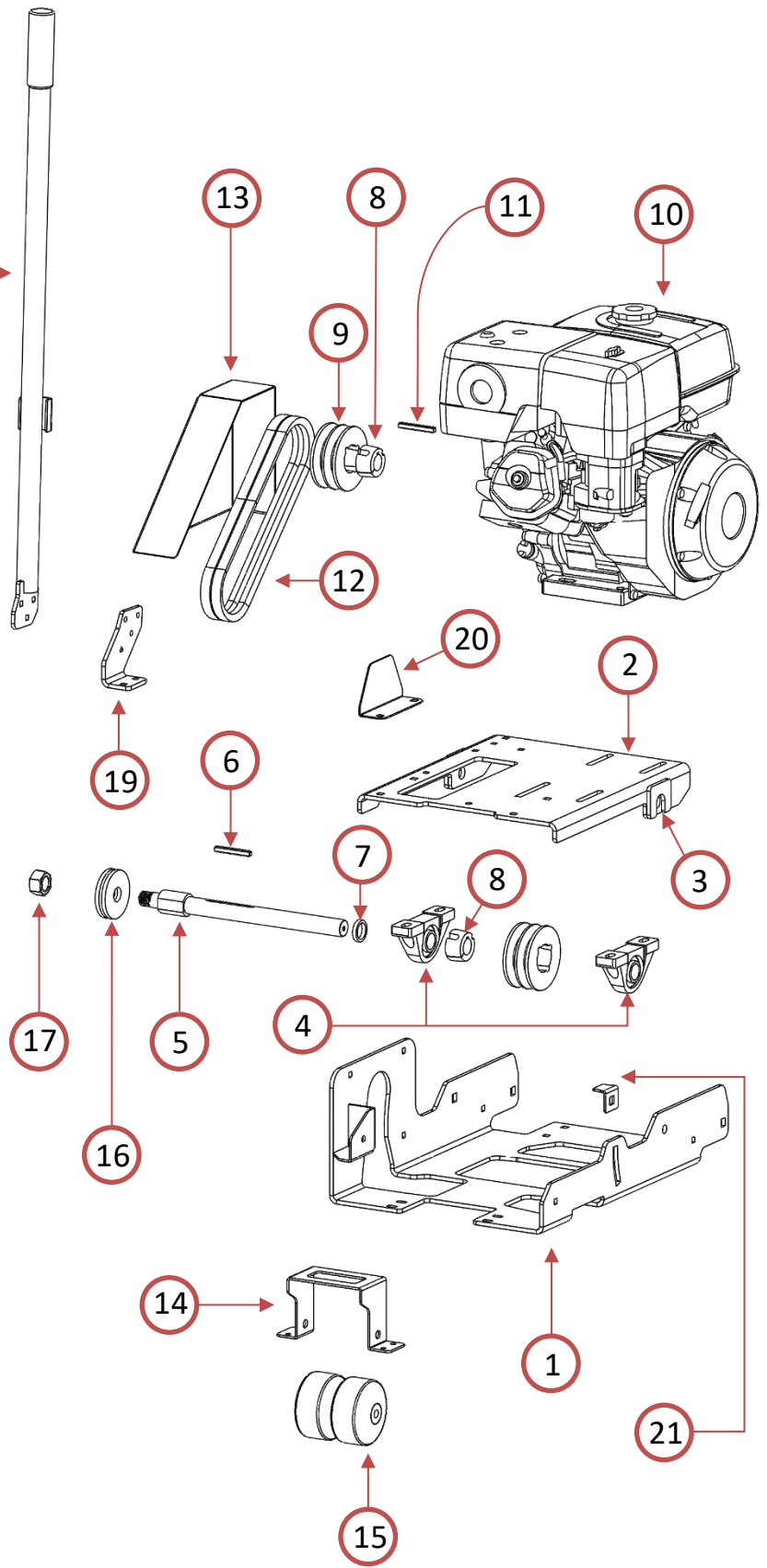
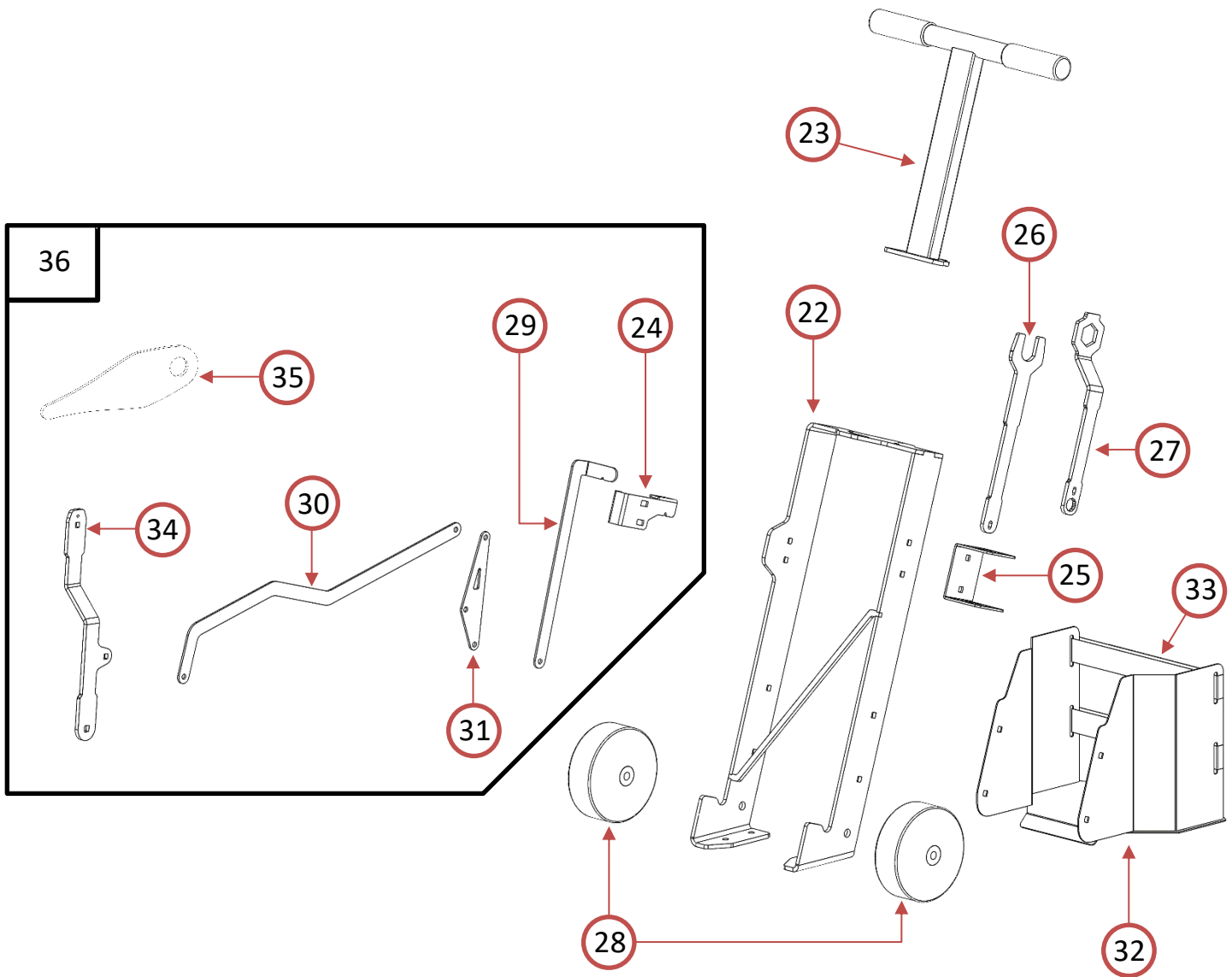
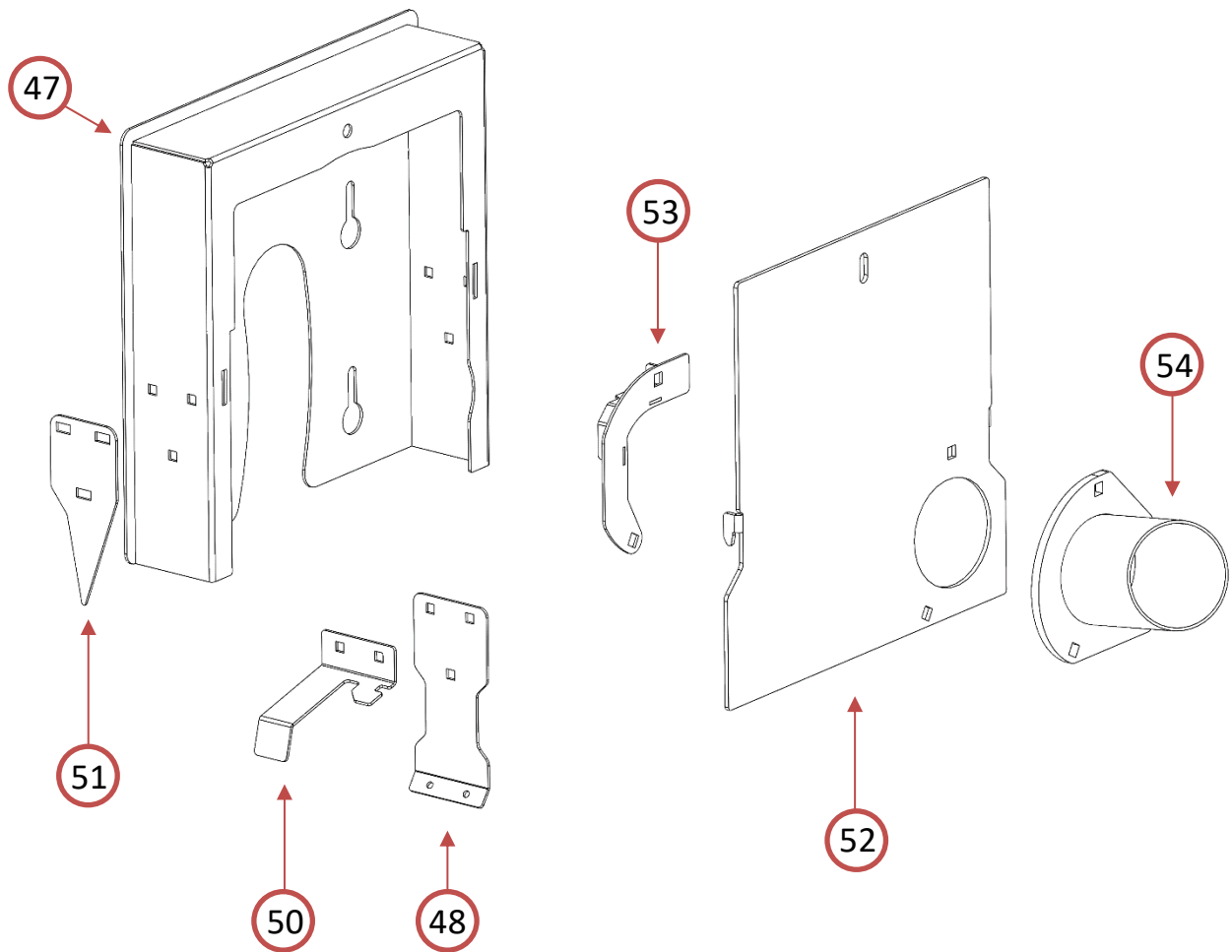


Part #	Description
X - 1 R2.0	Saw Base
X - 2 R2.0	Motor Mounting Plate
X - 3	Motor Plate Bushing
X - 4	Shaft Bearing
X - 5	Blade Shaft
X - 6	Blade Shaft Key
X - 7	Blade Shaft Spacer
X - 8	Taper Lock Bushing
X - 9	Pulley
X - 10	Engine
X - 11	Engine Shaft Key
X - 12 R2.0	Drive Belt
X - 13	Belt Cover
X - 14 R2.0	Front wheel Mount
X - 15 R2.0	Front Wheel
X - 16	Blade Clamp
X - 17	Blade Shaft Nut
X - 18	Lift/Lower Handle
X - 19	Lift/Lower Handle Mount
X - 20	Shaft Slot Cover
X - 21	Depth Stop

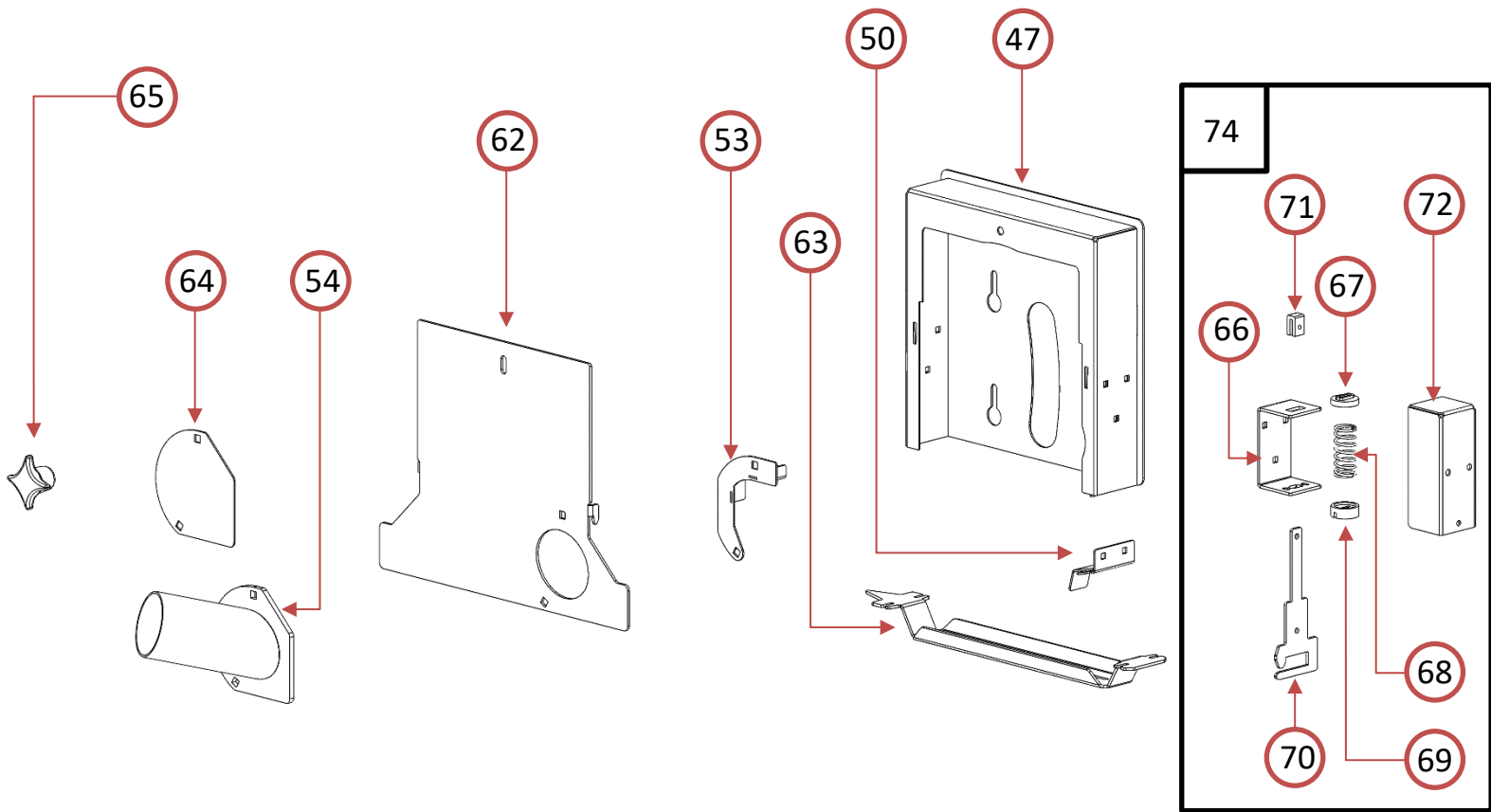




Part #	Description
X – 22 R2.0	Handle Mount
X – 23 R2.0	Upper Handle
X – 24 R2.0	Lift/Lower Lock
X – 25	Wrench Holder
X – 26	Shaft Wrench
X – 27	Nut Wrench
X – 28 R2.0	Rear Wheels
X – 29 R2.0	Upper pointer Linkage
X – 30 R2.0	Lower Pointer Linkage
X – 31 R2.0	Linkage Block
X – 32	Propane Tank Holder
X – 33	Propane Tank Strap
X – 34	Pointer Arm
X – 35	Pointer
X – 36	Optional: Remote Pointer Lift/Lower Linkage



Part #	Description
X – 47	10" Dust Box Main
X – 48	Dust Skirt Mount
X – 49	Dust Skirt (Not Pictured)
X – 50	Internal Dust Deflector
X – 51	Rear Blade Pointer
X – 52	10" Dust Box Door
X – 53	Dust Box Door Deflector
X – 54	Dust Port
X – 55	12" Dust Box (Not Pictured)
X – 56	12" Dust Box Door (Not Pictured)
X – 58	10" Dust Box Assembly
X – 59	12" Dust Box Assembly



Part #	Description
X – 62	Early Entry Dust Box Door
X – 63	Early Entry Skid Plate
X – 64	Dust Port Block-off
X – 65	4-Arm Knob
X – 66	Sprint Mount
X – 67	Upper Spring Retainer
X – 68	Spring
X – 69	Lower Spring Retainer
X – 70	Skid Plate Slide
X – 71	Slide Stop
X – 72	Spring Assembly cover
X – 73	Skid Plate Slide Assembly
X – 74	Early Entry Dust Box Assembly w/Skid Plate