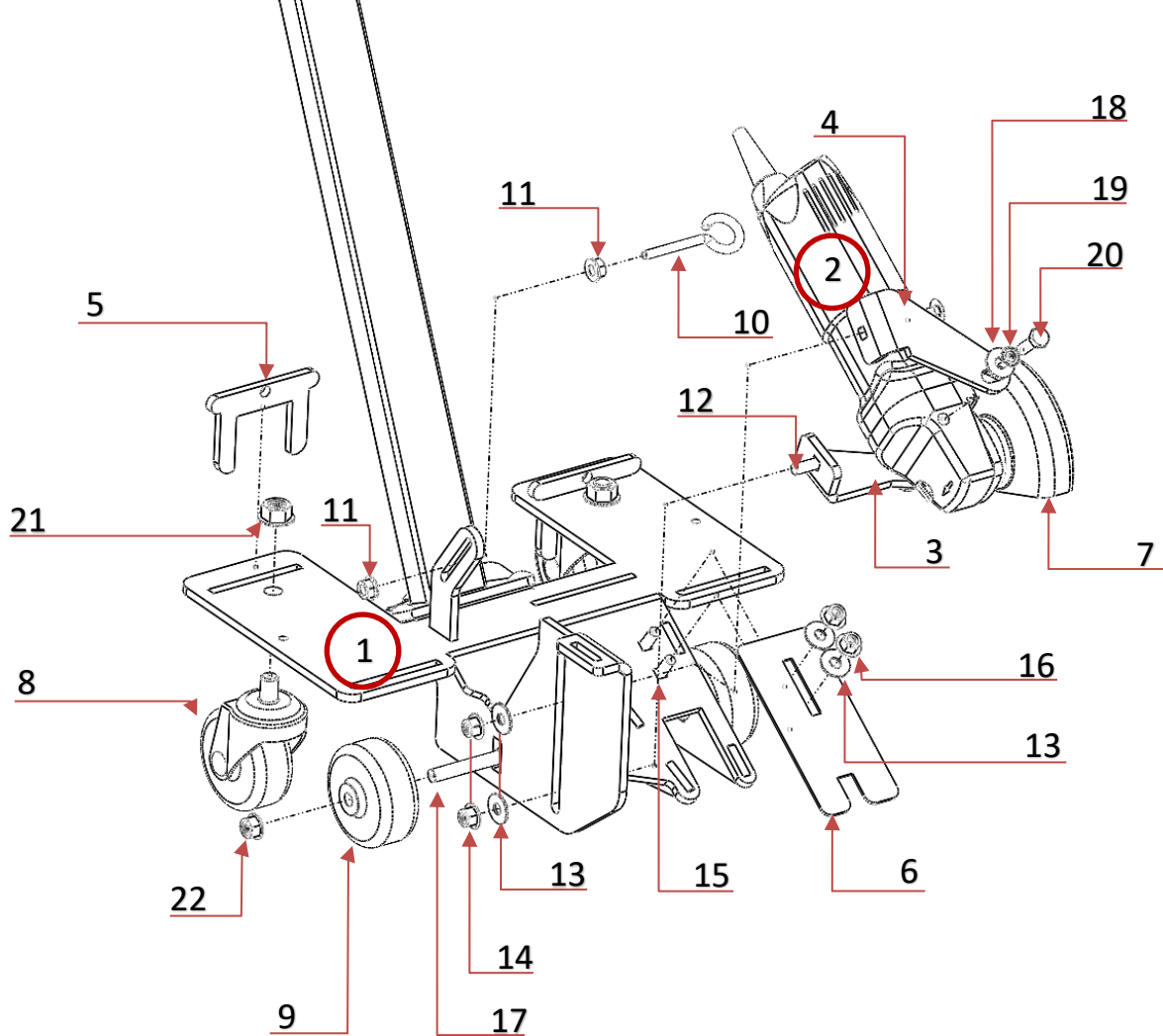


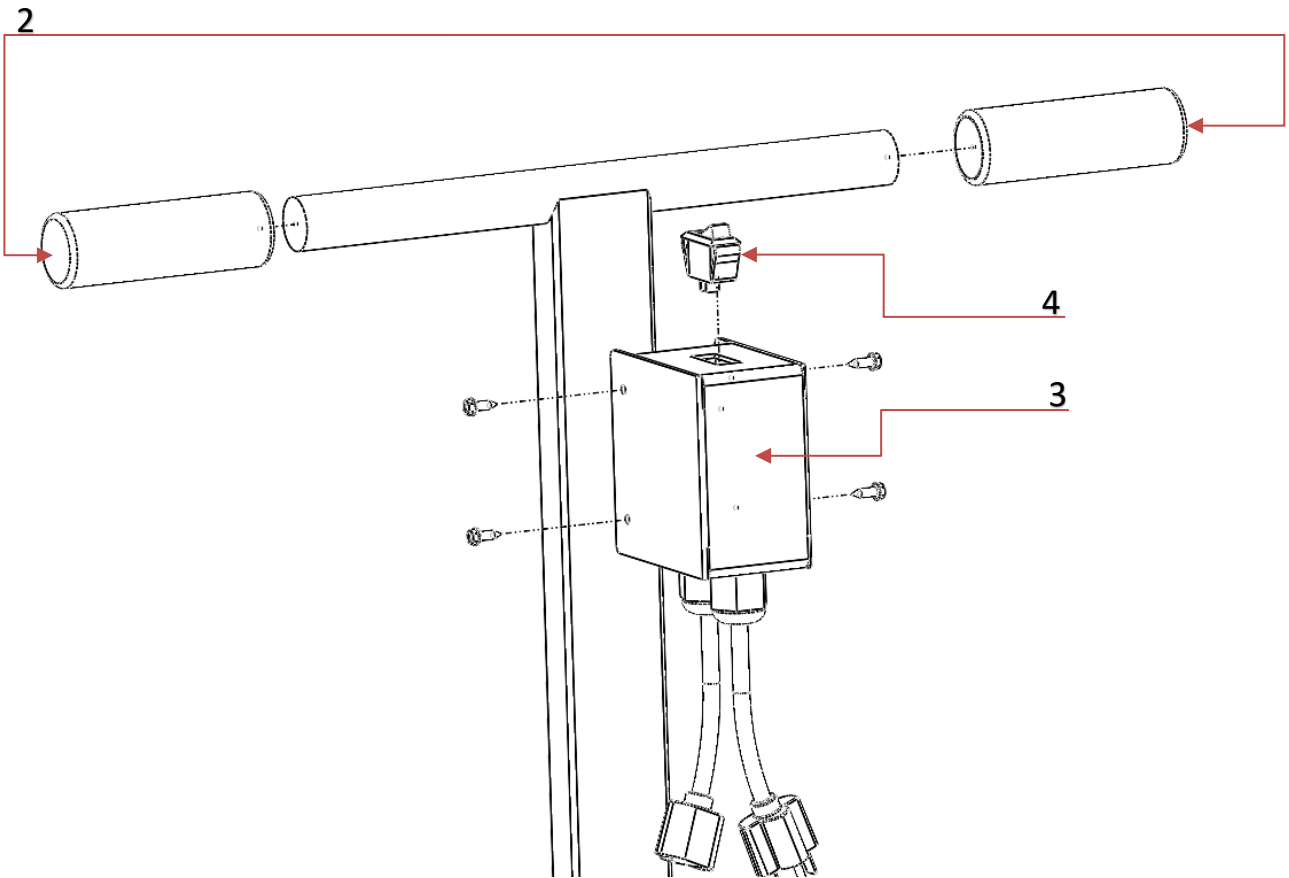
# **GCT – 4.5 parts diagram**

GCT-4.5  
OBHC INC  
(440) 236-5112  
SALES@OBHCINC.COM



Part number	Description
4.5 – 1	Saw base
4.5 – 2	Angle Grinder
4.5 – 3	Bottom mounting bracket
4.5 – 4	Top mounting bracket
4.5 – 5	Wheel lock
4.5 – 6	Dust deflector
4.5 – 7	Grinder blade guard
4.5 – 8	3" Caster wheel
4.5 – 9	3" wheel
4.5 – 10	Eye bolt
4.5 – 11	Serrated flange nut
4.5 – 12	Carriage bolt
4.5 – 13	Washer
4.5 – 14	Nylon locking nut
4.5 – 15	Carriage bolt
4.5 – 16	Serrated flange nut
4.5 – 17	Carriage bolt
4.5 – 18	Washer
4.5 – 19	Split lock washer
4.5 – 20	Hex head bolt
4.5 – 21	Serrated flange nut
4.5 – 22	Serrated flange nut

# Handle Assembly



Part number	Description
H-1	Handle Assembly
H-2	Handle Grip
H-3	Electrical box
H-4	Switch