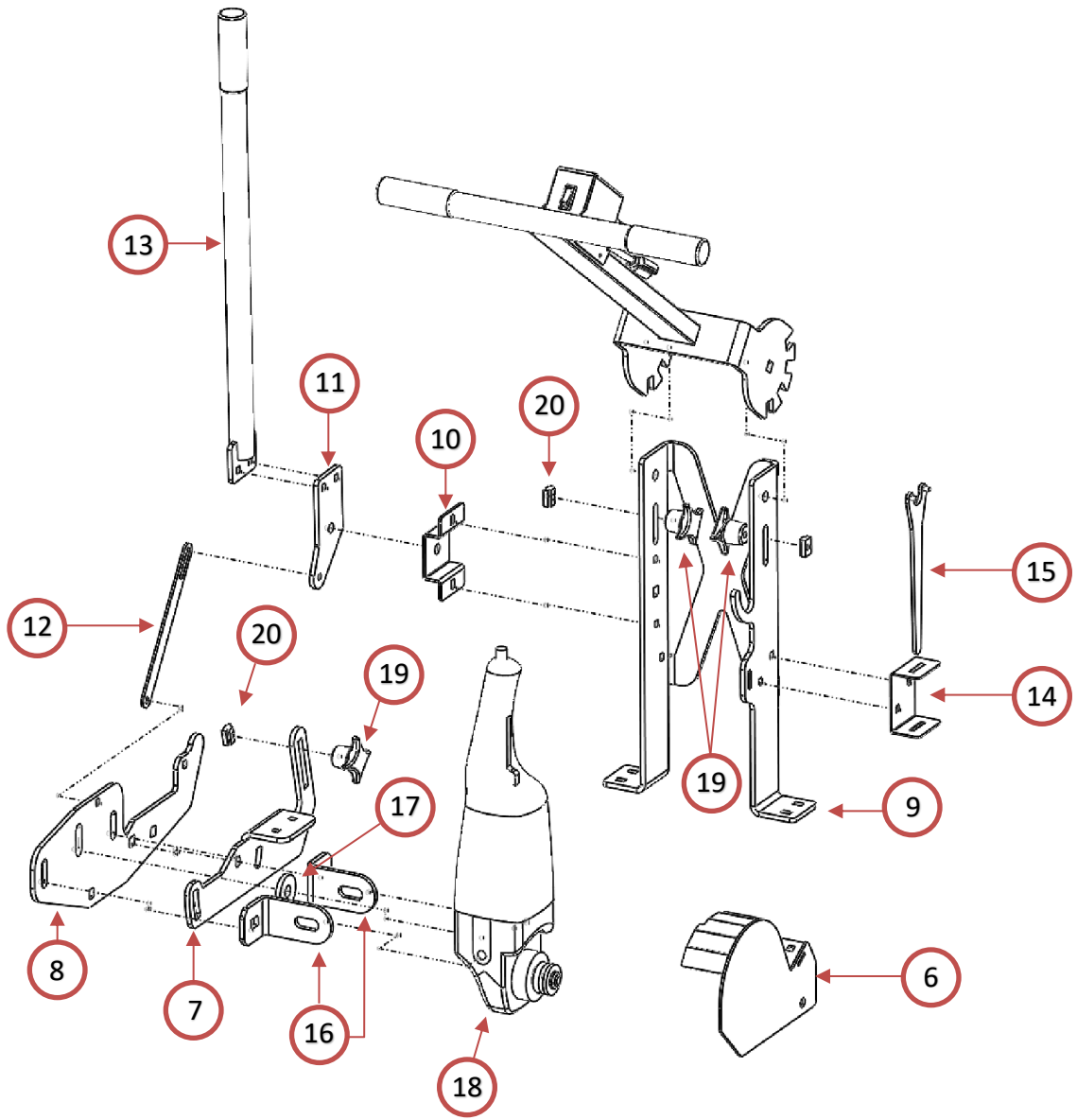
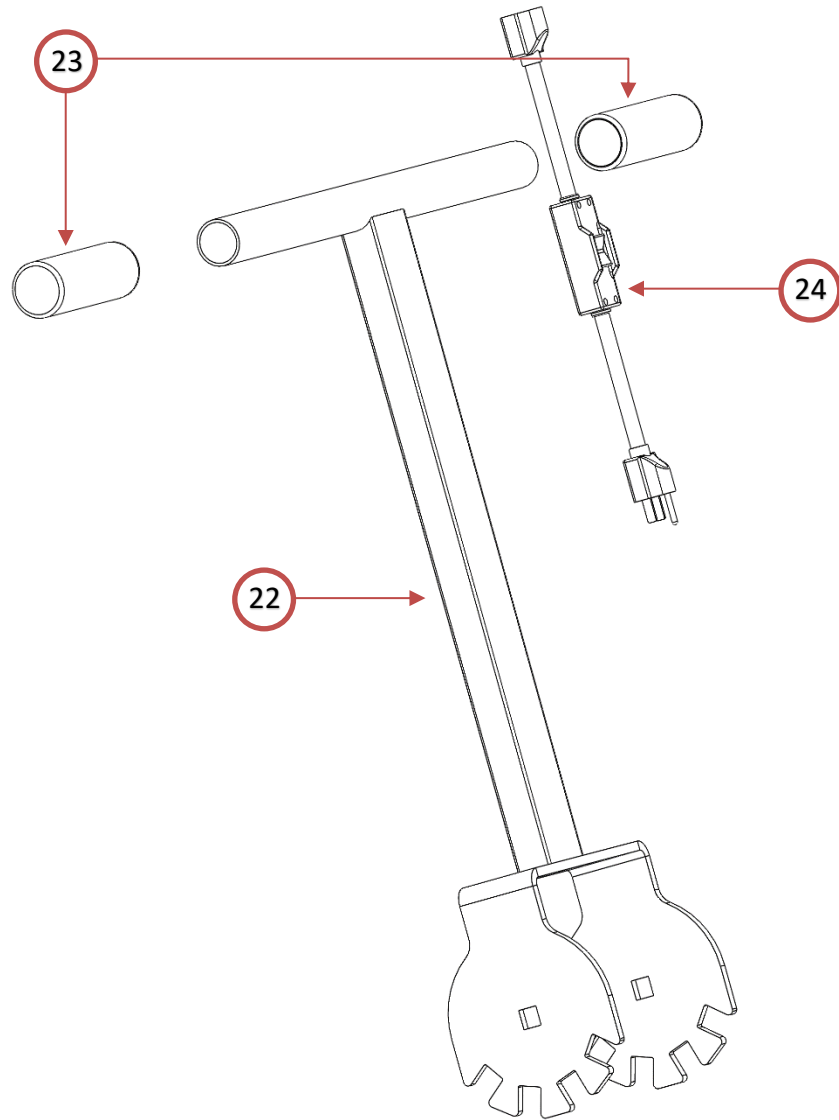


| Part # | Description             |
|--------|-------------------------|
| 6 – 1  | Saw Base                |
| 6 – 2  | Wheel mounts            |
| 6 – 3  | Chassis brace           |
| 6 – 4  | Toe guard               |
| 6 – 5  | 4x2 Casters             |
| 6 – 6  | Caster Lock (not shown) |
|        |                         |
|        |                         |



| Part # | Description                |
|--------|----------------------------|
| 6 – 6  | Blade guard                |
| 6 – 7  | Pivot mounting plate       |
| 6 – 8  | Pivot plate                |
| 6 – 9  | Handle mount               |
| 6 – 10 | Lift Handle linkage mount  |
| 6 – 11 | Lift handle mounting plate |
| 6 – 12 | Lift/lower linkage         |
| 6 – 13 | Lift Handle                |
| 6 – 14 | Wrench holder              |
| 6 – 15 | Blade wrench               |
| 6 – 16 | Grinder mount              |
| 6 – 17 | Grinder spacer             |
| 6 – 18 | Grinder                    |
| 6 – 19 | 4-arm knob                 |
| 6 – 20 | t-nut stop                 |
|        |                            |



| Part # | Description              |
|--------|--------------------------|
| 6 – 22 | Handle Grips             |
| 6 – 23 | Handle                   |
| 6 – 24 | Electrical box assembly  |
| 6 – 25 | Complete Handle Assembly |
|        |                          |