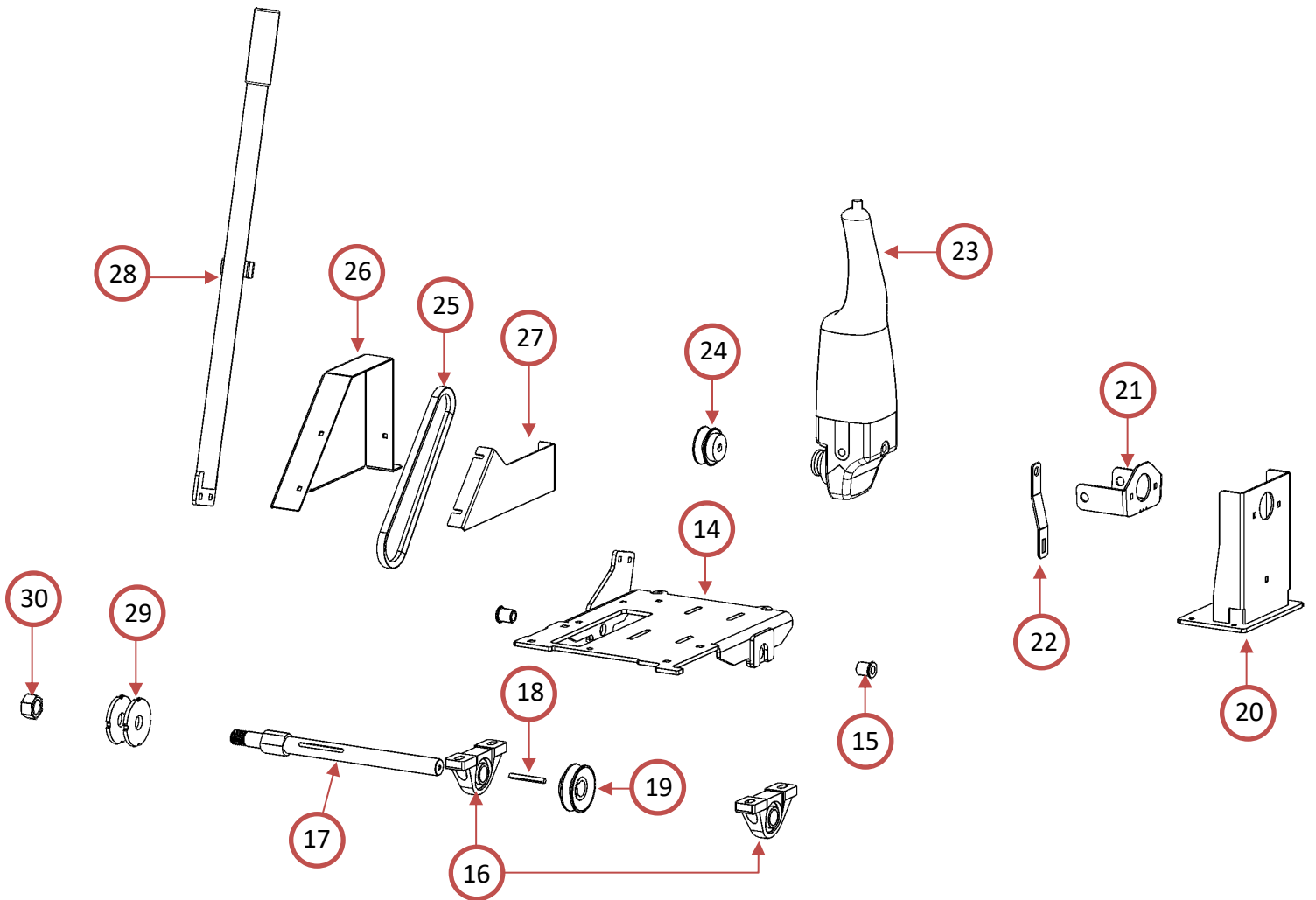
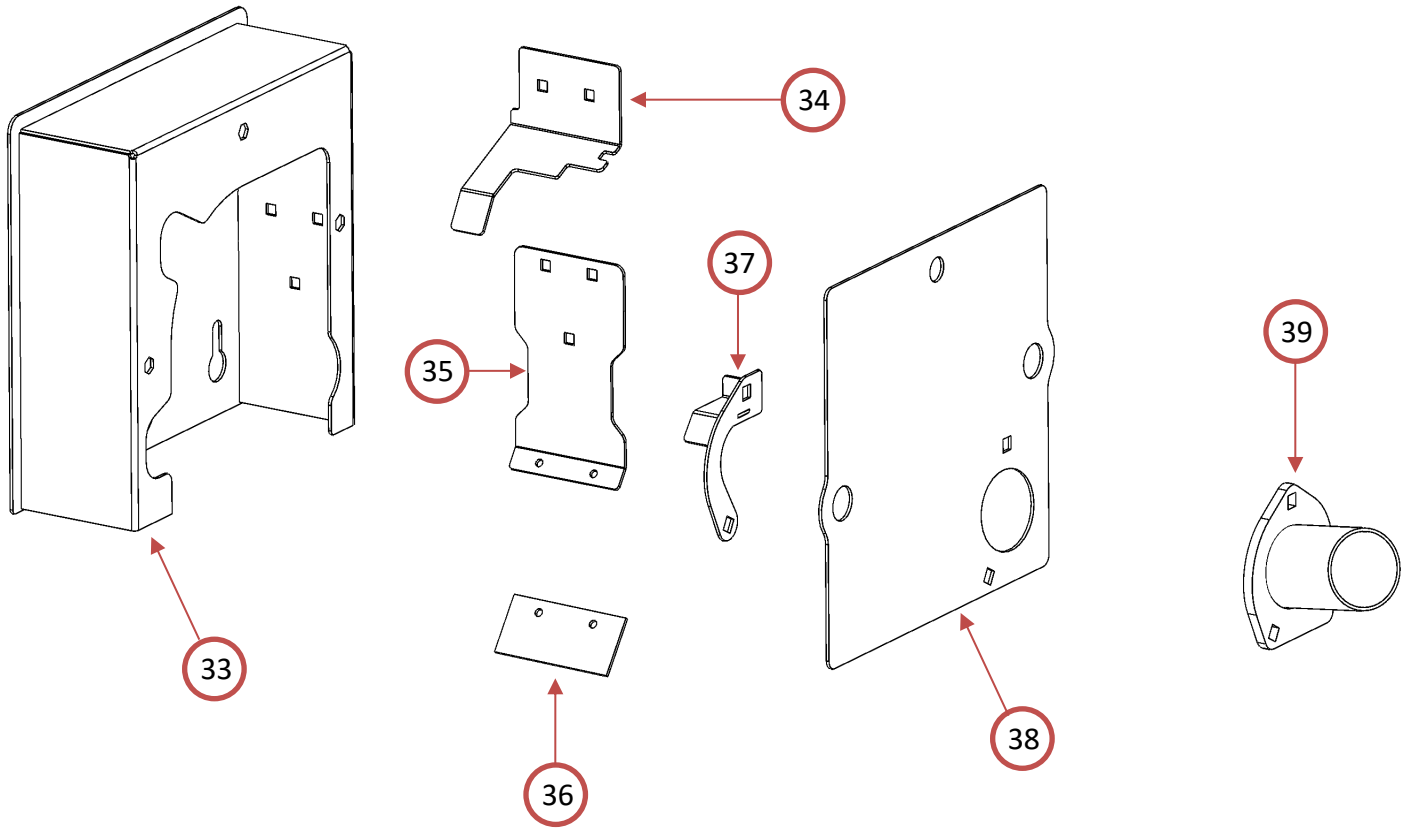


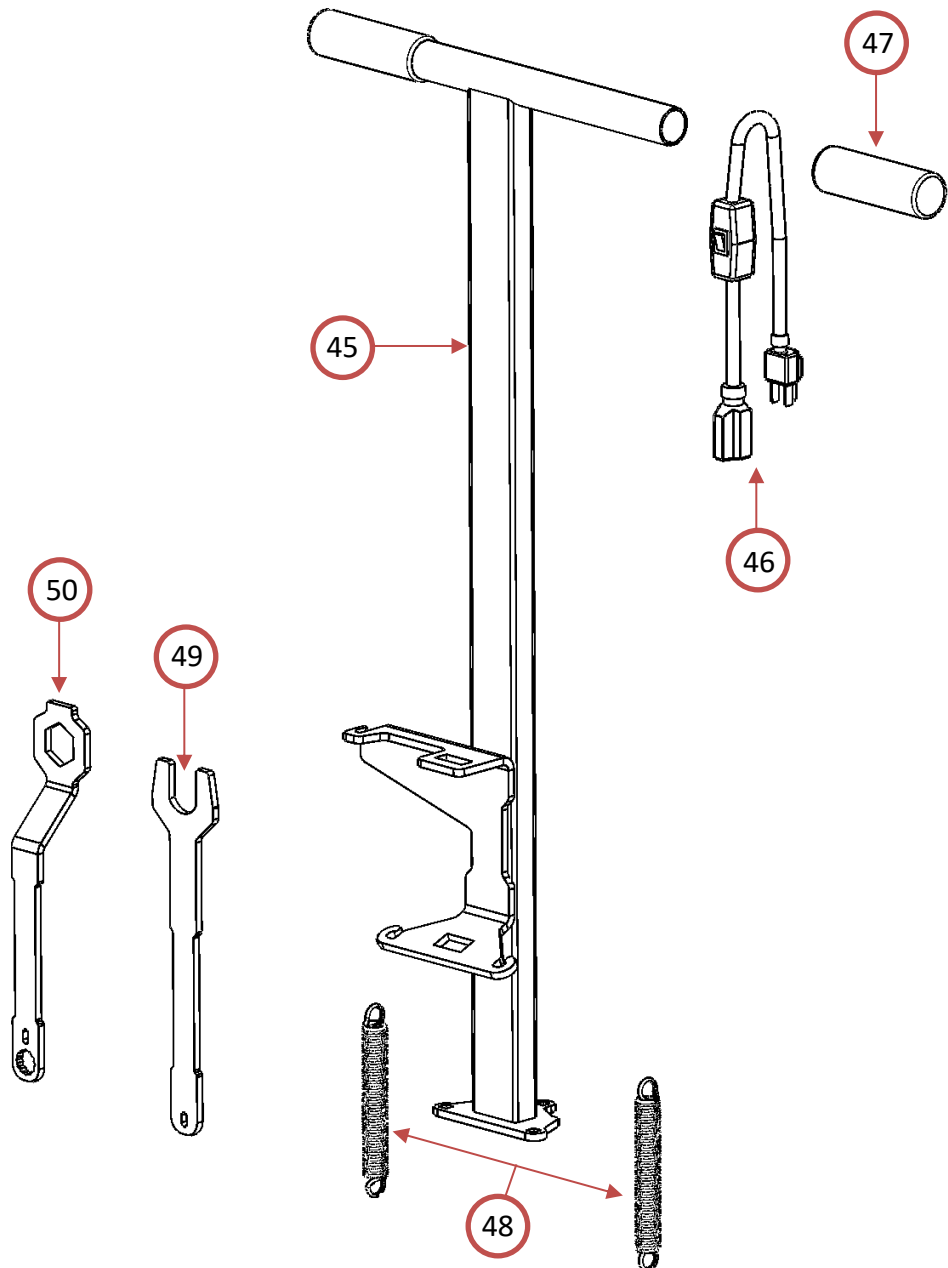
Part #	Description
6 - 1	Saw Base
6 - 2	Front Wheel Mount
6 - 3	Rear Wheel/Handle Mount
6 - 4	Depth Stop Backer
6 - 5	Depth Stop
6 - 6	Blade Pointer
6 - 7	Pointer Washer
6 - 8	4" Wheel



Part #	Description
6 – 14	Motor Plate
6 – 15	Motor Plate Bushing
6 – 16	Blade Shaft Bearing
6 – 17	Blade Shaft
6 – 18	Blade Shaft Key
6 – 19	Blade Shaft Pulley
6 – 20	Powerhead Mounting base
6 – 21	Motor Mount
6 – 22	Motor Center Mount
6 – 23	Powerhead
6 – 24	Drive Pulley
6 – 25	Drive Belt
6 – 26	Belt Guard
6 – 27	Rear Belt Guard
6 – 28	Lift/Lower Handle
6 – 29	Blade Washer
6 – 30	Blade shaft Nut
6 – 31	Blade Spacer



Part #	Description
6 – 33	Dust Box
6 – 34	Internal Baffle
6 – 35	Deflector Mount
6 – 36	Deflector
6 – 37	Door Baffle
6 – 38	Dust Box Door
6 – 39	Dust Port



Part #	Description
6 – 45	Saw Handle
6 – 46	Switch Assembly
6 – 47	Handle Grip
6 – 48	Motor Plate Tension Spring
6 – 49	Shaft Wrench
6 – 50	Nut Wrench