

GCT-X series Parts Diagram

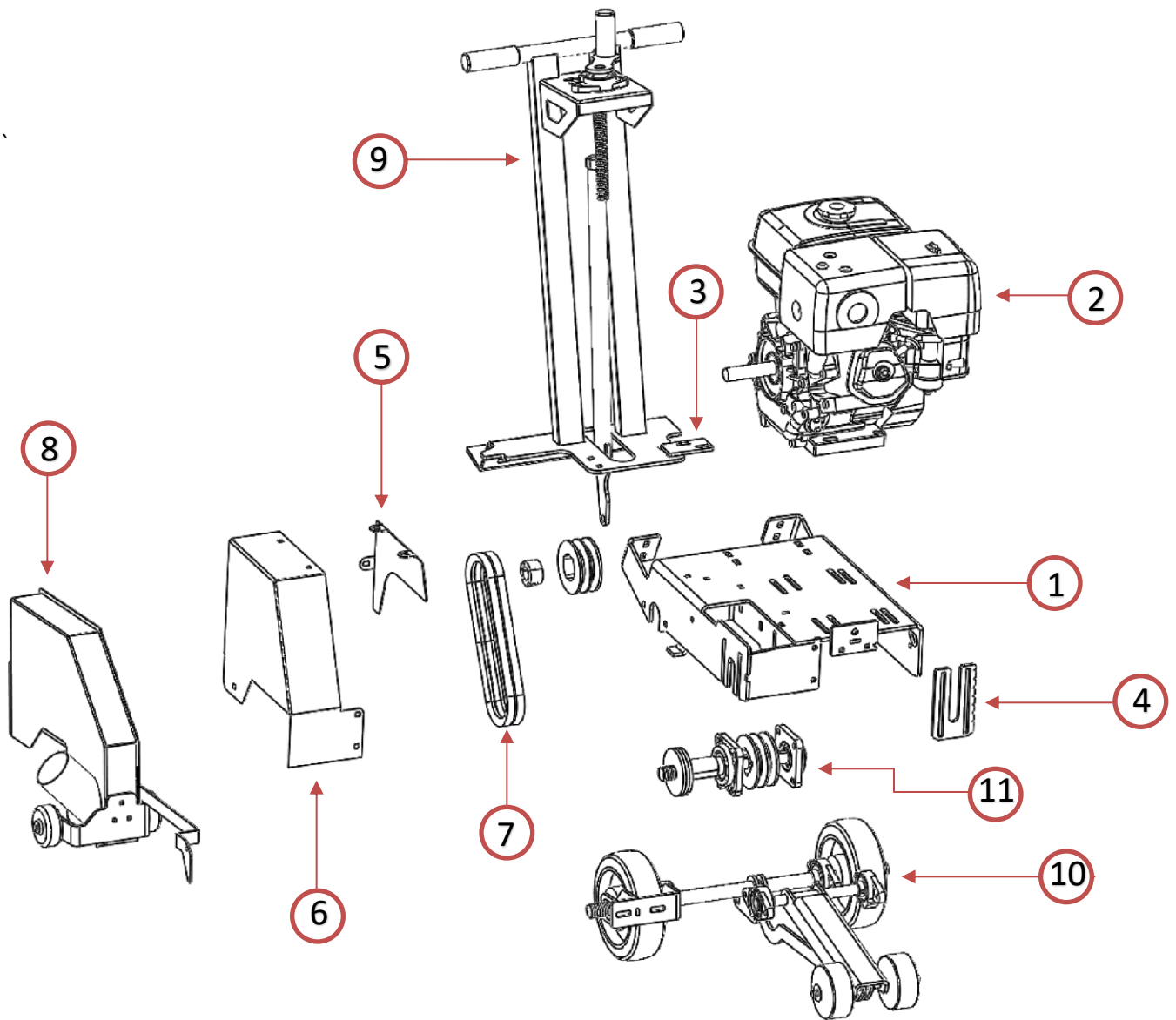
Gorilla Concrete Tools

An OBHC Inc. Company

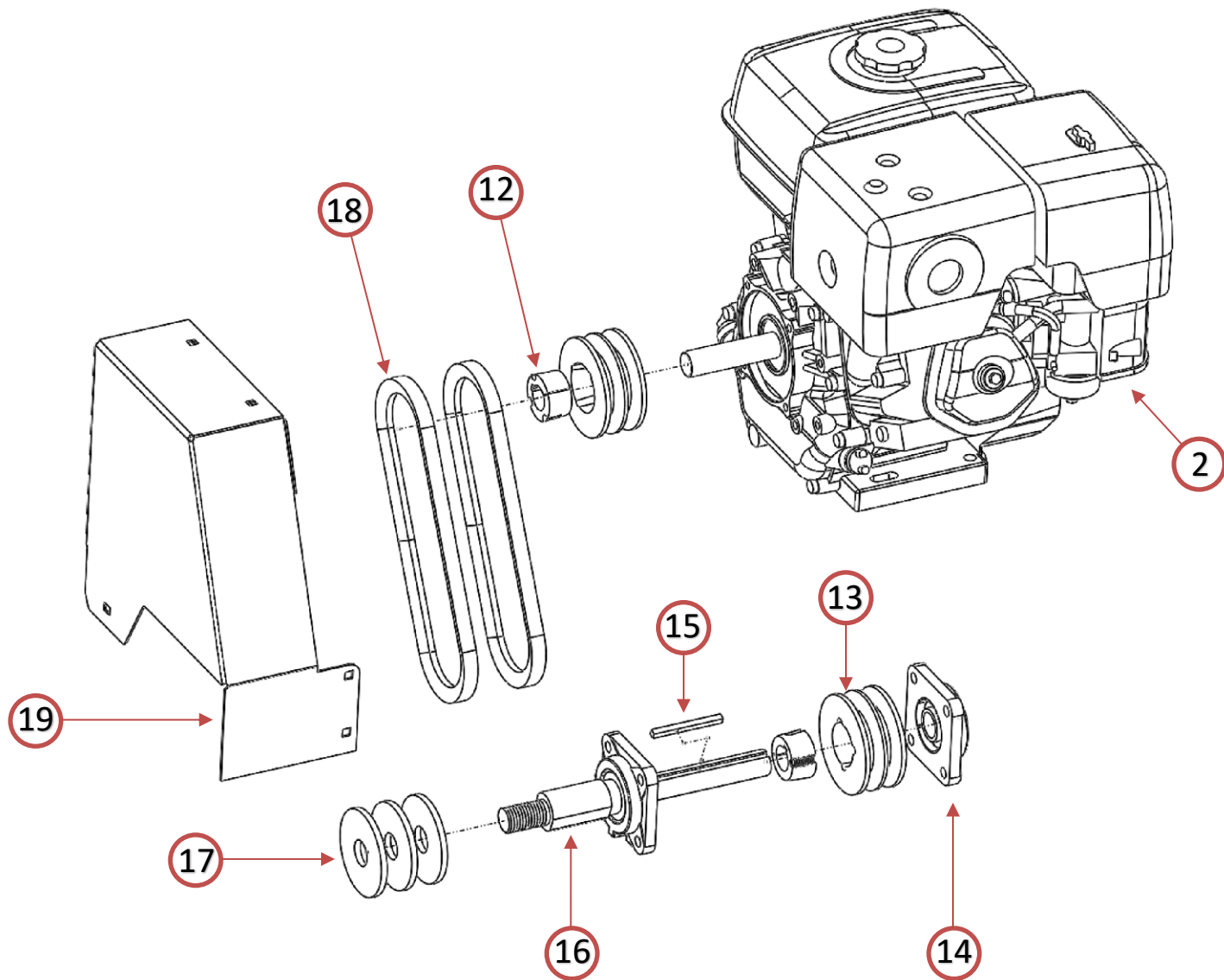
33549 Royalton Road, Unit 9

Columbia Station, OH 44028

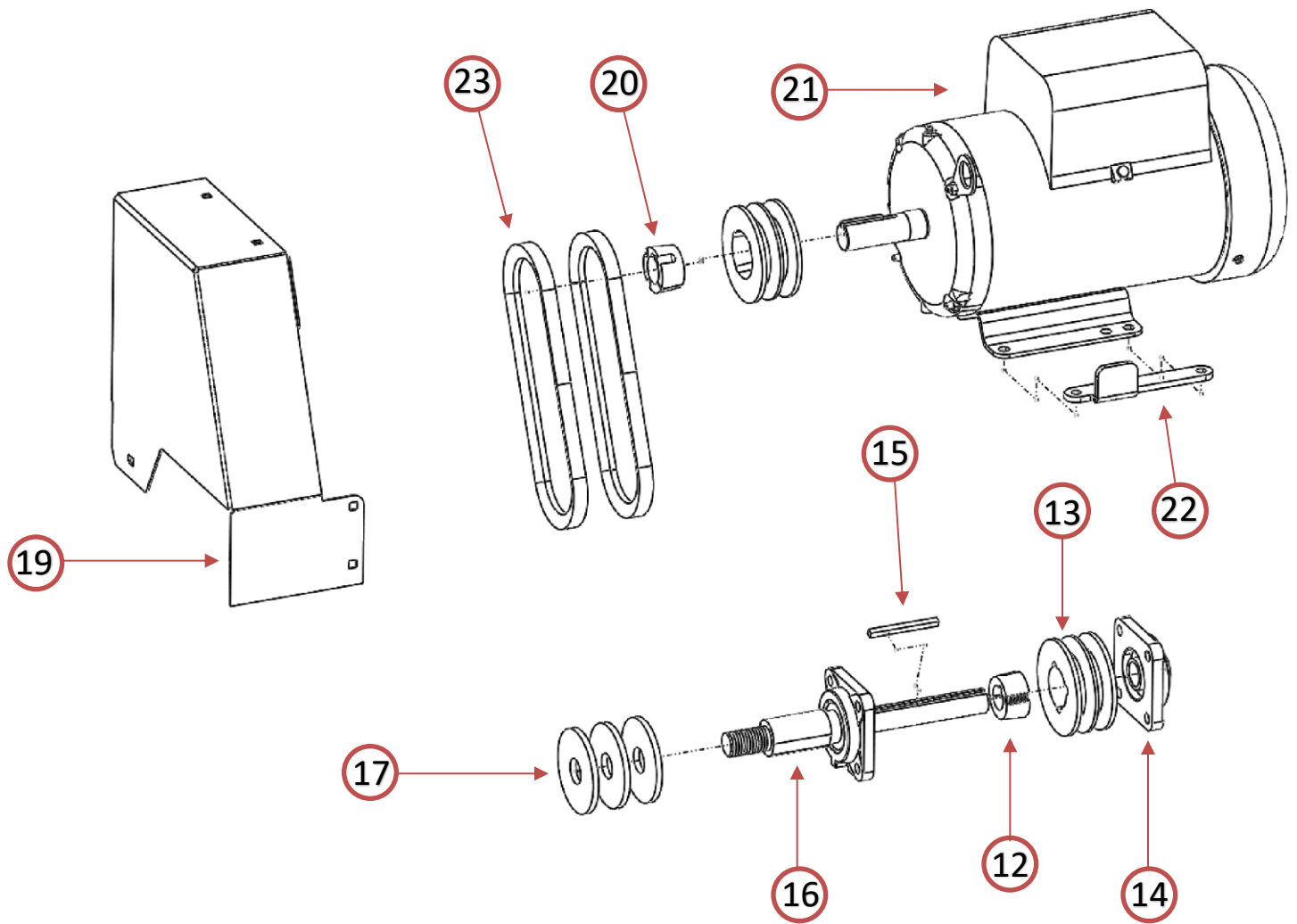
(440)236-5112



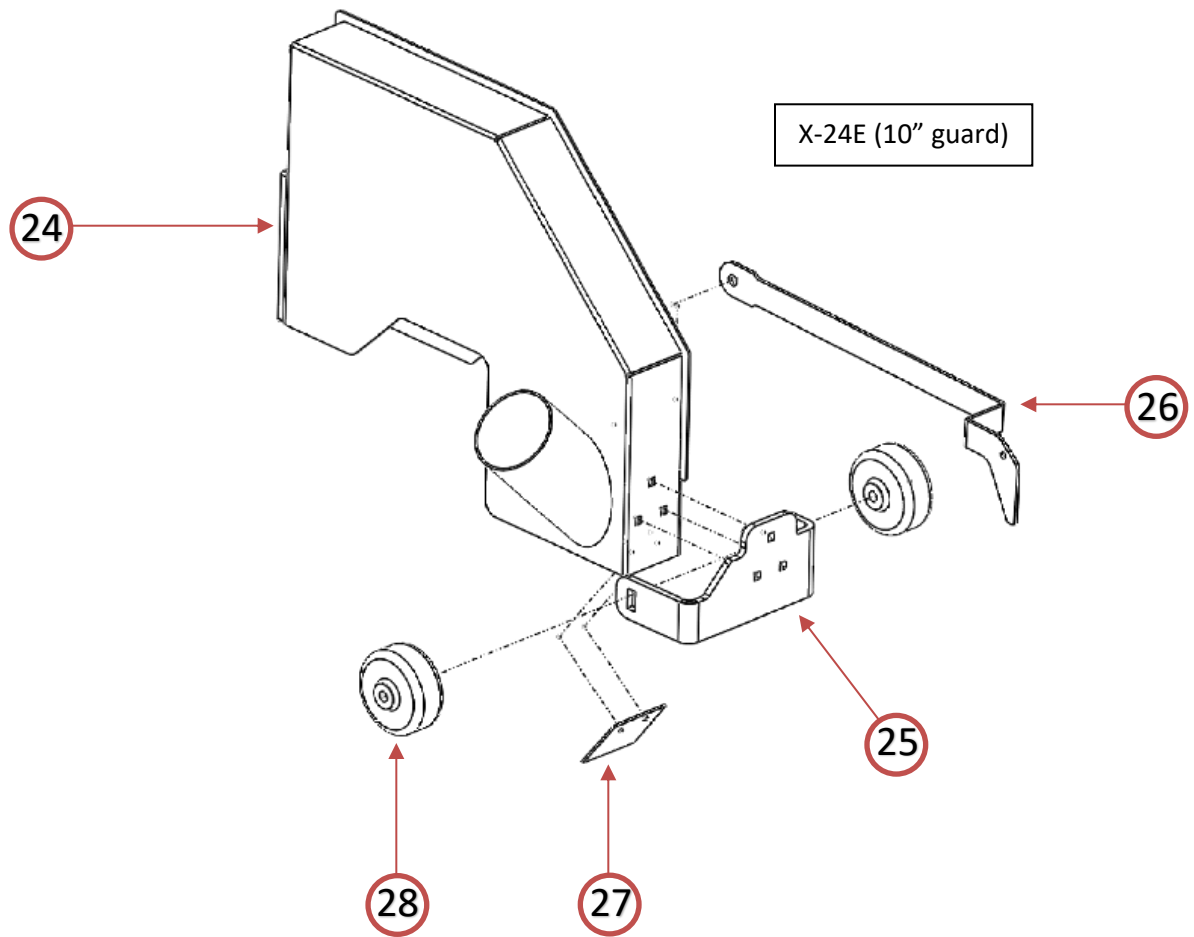
Part number	Description
X-1	GCT – X series saw base
X-2	Engine (electric option available)
X-3	Dust box stop
X-4	Depth stop
X-5	Belt safety guard
X-6	Belt guard
X-7	Drive Belts (pair)
X-8	Blade guard assembly (see page 4 for breakdown)
X-9	Handle assembly (see page 6 for breakdown)
X-10	Wheel carriage Assembly (see page 5 for breakdown)
X-11	Blade shaft assembly (see page 2 for breakdown)



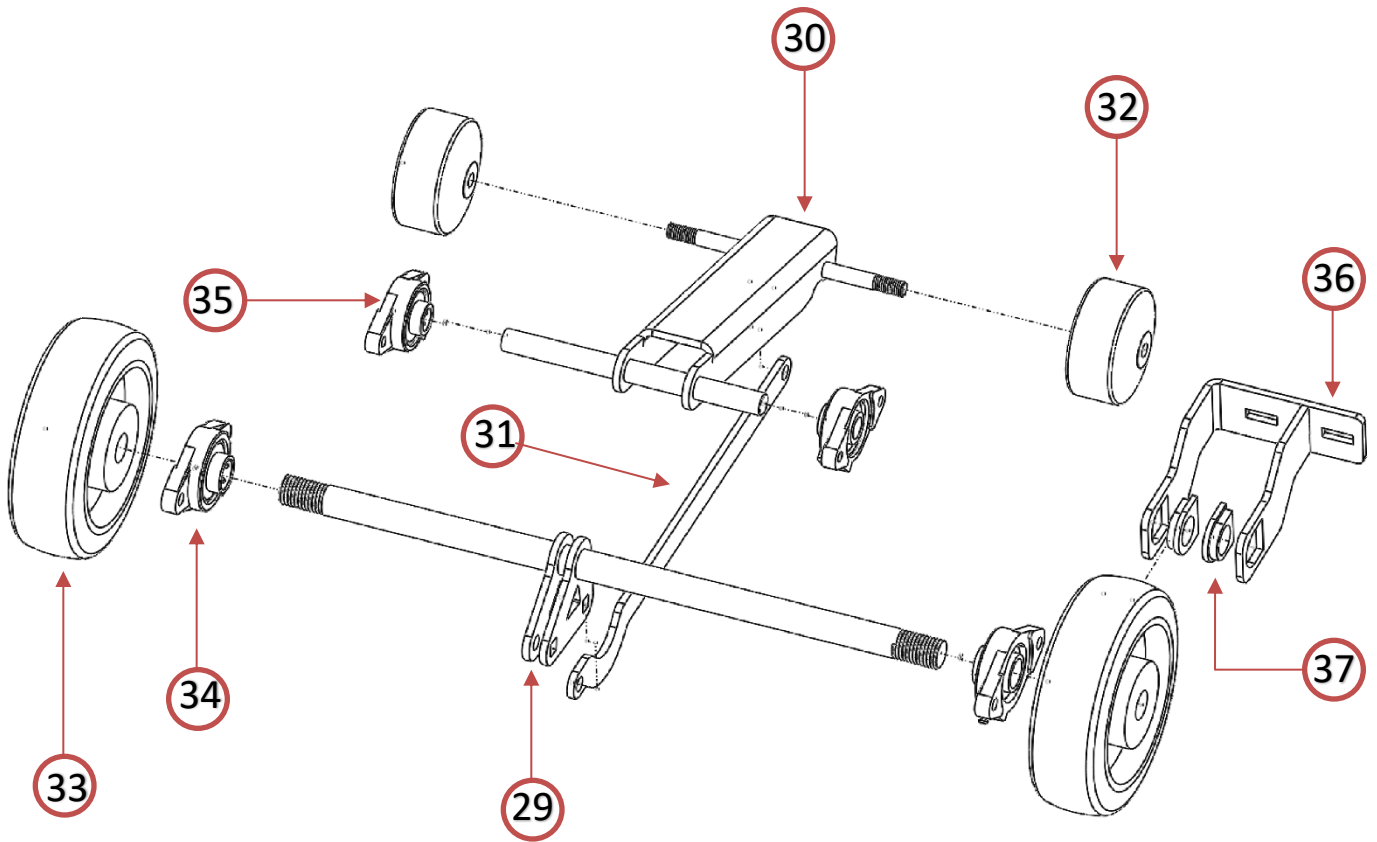
Part number	Description
X – 12	Engine shaft sheave bushing
X – 13	Drive Belt Sheave
X – 14	Blade shaft bearing
X – 15	Key stock
X – 16	Blade Shaft
X – 17	Blade spacers
X – 18	Gasoline engine drive belt
X – 19	Belt guard assembly



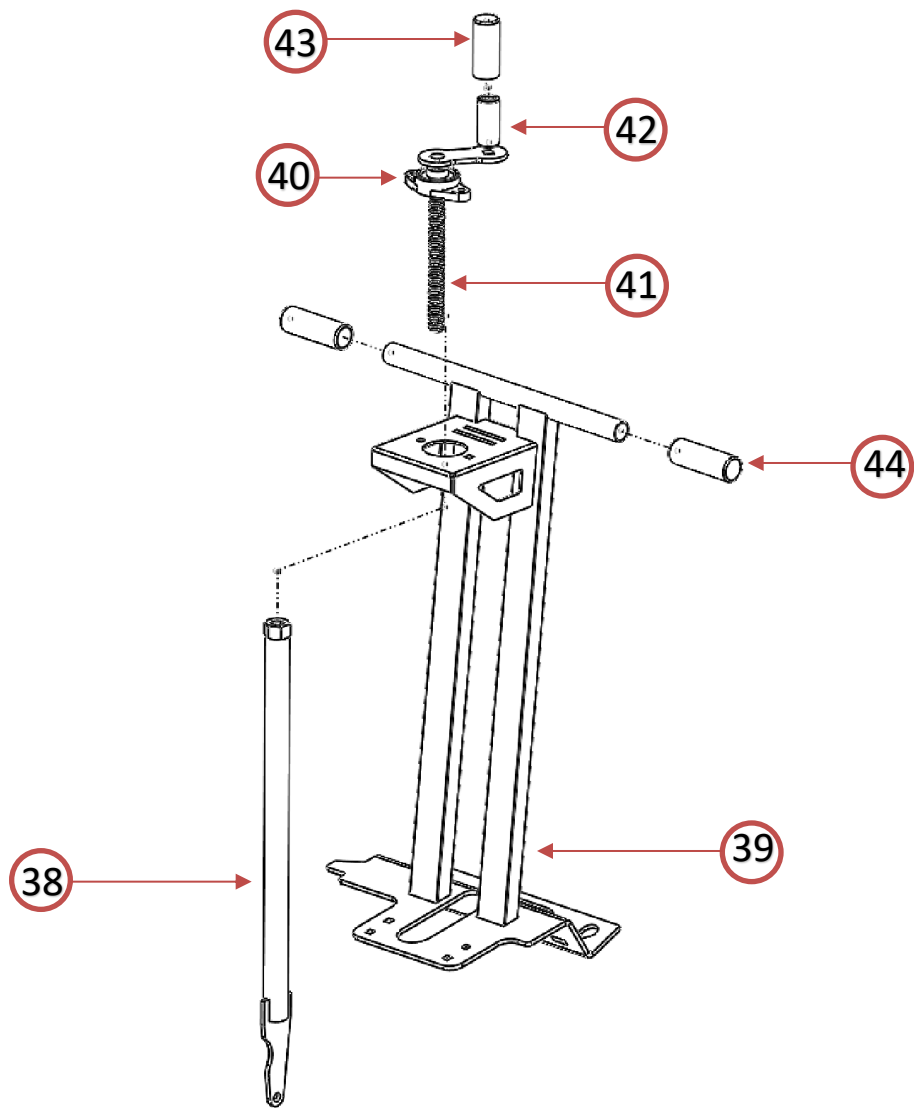
Part number	Description
X – 20	Motor shaft sheave bushing
X – 21	Electric motor
X – 22	Electric motor tensioning plate
X – 23	Electric motor drive belt



Part Number	Description
X – 8	Complete assembly
X – 24	Blade Guard
	X-24G (Gasoline engine 14" guard)
	X-24E (Electric motor 10" guard)
X – 25	Blade guard wheel mount
X – 26	Blade pointer
X – 27	Dust deflector (sold in packs of 10)
X – 28	Guide wheels



Part Number	Description
X – 10	Complete assembly
X – 29	Rear Axle
X – 30	Front/Center axle link
X – 31	Connecting arm
X – 32	Front wheel
X – 33	Rear wheel
X – 34	Rear axle bearing
X – 35	Center Axle bearing
X – 36	Dust box mount
X – 37	Dust box mount axle bushing



Part Number	Description
X - 9	Complete assembly
X - 38	Lift and lower tube
X - 39	Saw handle
X - 40	Lift-lower crank bearing
X - 41	Lift-lower crank
X - 42	Crank handle
X - 43	Crank handle grip
X - 44	Handle grip
X - 45	Electric Control box handle (not shown)

Additional Equipment

Part number	Description
X – 46	Engine shutoff switch kit
X – 47	Factory sticker pack
X – 48	Maintenance kit