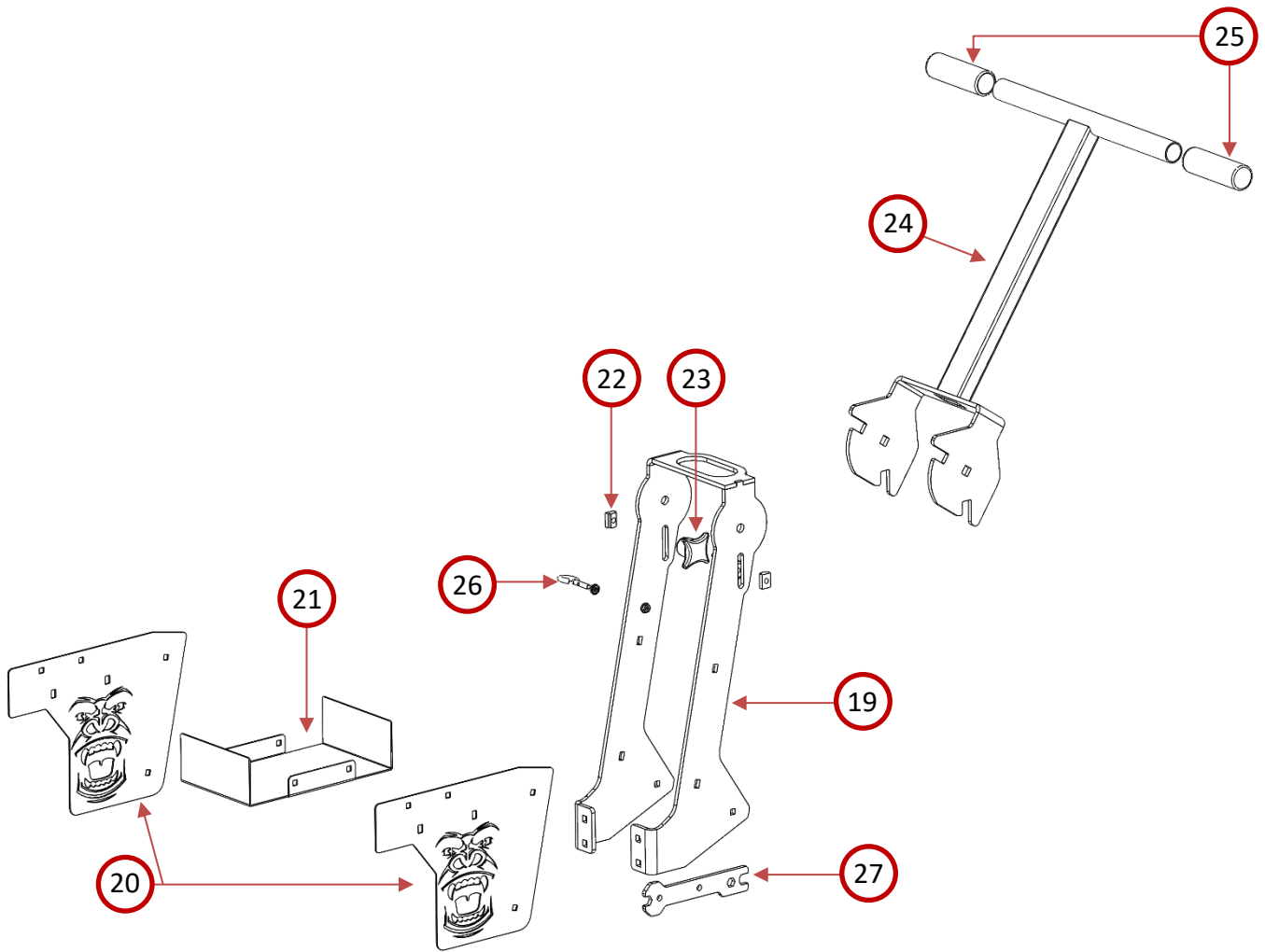


Part #	Description
SG8 – 1	Surface Grinder Main Base
SG8 – 2	Motor Mounting Plate
SG8 – 3	Drive Motor
SG8 – 4	Drive Pulley
SG8 – 5	8" Non-Marking Wheels
SG8 – 6	Drive Shaft Bearing
SG8 – 7	Drive Shaft
SG8 – 8	Driven Pulley
SG8 – 9	Drive Belt
SG8 – 10	Dust Shroud
SG8 – 11	Dust Skirt Retention Strap
SG8 – 12	Dust Skirt
SG8 – 13	Shaft Cover
SG8 – 14	Self-Leveling Orbital 7" Pad Driver (Not Shown)
SG8 – 15	Self-Leveling Tapered Tool Holder (Not Shown – Specify Type)
SG8 – 16	Self-Leveling RP Tool Holder



Part #	Description
SG8 – 19	Handle Upright
SG8 – 20	Tool Tray Sides
SG8 – 21	Tool Tray Main
SG8 – 22	T-Slot Nut
SG8 – 23	4-Arm Knob
SG8 – 24	Handle
SG8 – 25	Handle Grip
SG8 – 26	Eye Bolt Fastener Set
SG8 – 27	Shaft/Multi-use Wrench
SG8 – 28	Power Cord and Switch Assembly (Not Shown)