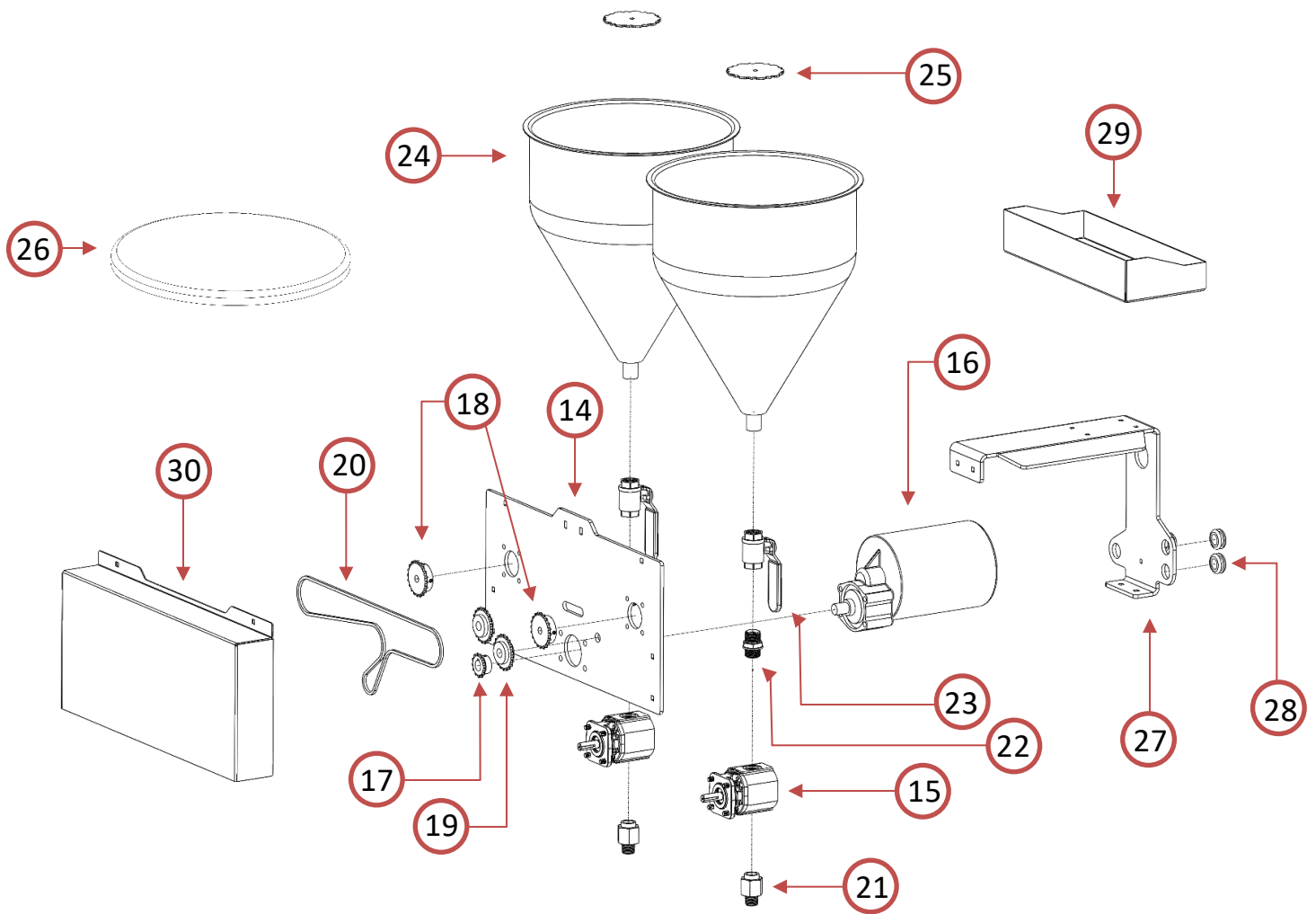
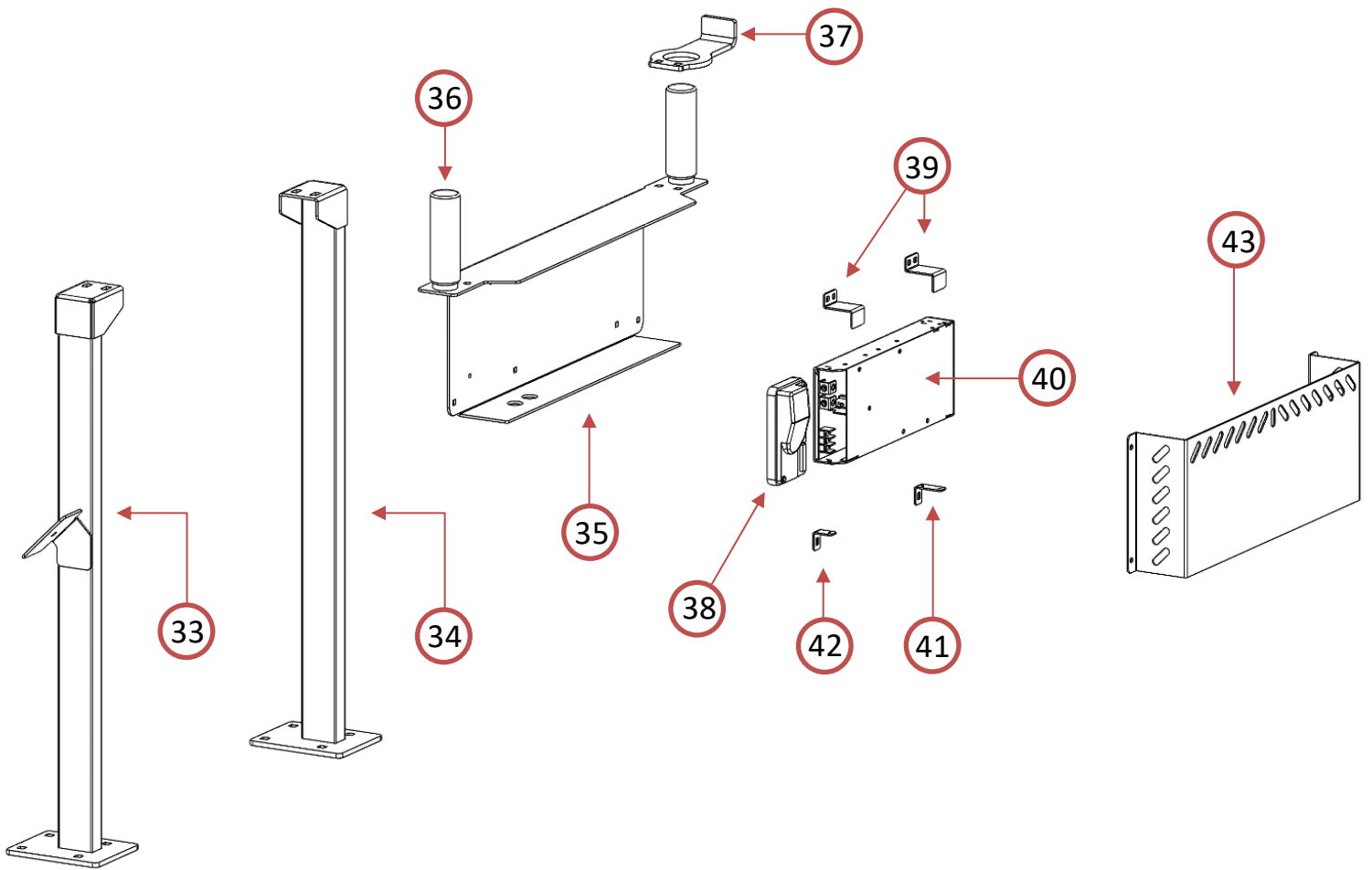


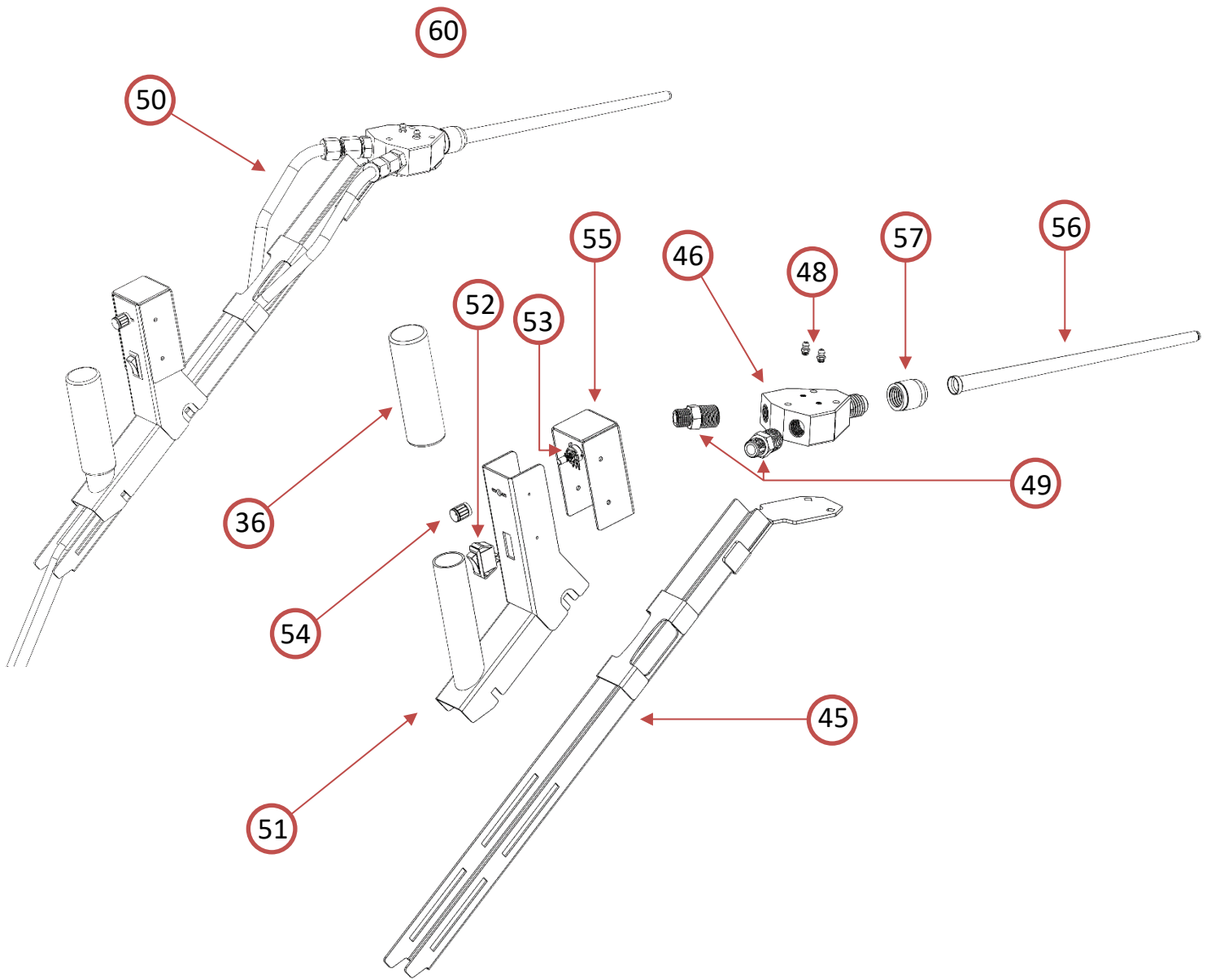
Part #	Description
GP1 – 1	Right Main Base Beam
GP1 – 2	Left Main Base Beam
GP1 – 3	Main connecting beam
GP1 – 4	Motor/Pump beam
GP1 – 5	8" Wheel
GP1 – 6	Caster Wheel
GP1 – 7	Generator/Battery Tray
GP1 – 8	Left Motor/Pump Mount support
GP1 – 9	Right Motor/Pump Mount support
GP1 – 10	Generator/Battery Tie down



Part #	Description
GP1 – 14	Motor/Pump Mounting Plate
GP1 – 15	Pump
GP1 – 16	Drive Motor
GP1 – 17	Drive Sprocket
GP1 – 18	Pump Sprocket
GP1 – 19	Idler Sprocket
GP1 – 20	Drive Chain
GP1 – 21	Lower Pump Fitting
GP1 – 22	Upper Pump Fitting
GP1 – 23	Ball Valve
GP1 – 24	Stainless Steel Hopper
GP1 – 25	Large Particle Filter
GP1 – 26	Hopper Lid
GP1 – 27	Motor Drip cover
GP1 – 28	Dispensing Hose Grommet
GP1 – 29	Tool Tray
GP1 – 30	Chain/Sprocket Cover
GP1 – 31	Dispensing Hose Retention Cable (Not Pictured)



Part #	Description
GP1 – 33	Left Handle Upright
GP1 – 34	Right Handle Upright
GP1 – 35	Controller Mount
GP1 – 36	Handle Grip
GP1 – 37	Waste Dispensing Bucket Holder
GP1 – 38	Controller
GP1 – 39	Inverter Top Brackets
GP1 – 40	Inverter
GP1 – 41	Inverter Bottom Right Bracket
GP1 – 42	Inverter Bottom Left Bracket
GP1 – 43	Electronics Cover
GP1 – 44	Main Power Supply Cord (Not Pictured)
GP1 – 44A	Main Power Supply Cord Grip Connector (Not Pictured)



Part #	Description
GP1 – 45	Dispensing Wand
GP1 – 46	Coarse Thread Manifold
GP1 – 47	Fine Thread Manifold
GP1 – 48	Grease Fitting
GP1 – 49	Manifold Hose Fitting
GP1 – 50	Dispensing hose
GP1 – 51	Wand Handle
GP1 – 52	On/Off Switch
GP1 – 53	Potentiometer
GP1 – 54	Potentiometer Knob
GP1 – 55	Handle Electronics cover
GP1 – 56	Static Mixing Tip
GP1 – 57	Manifold Nut
GP1 – 58	Wand Electrical Harness (Not Pictured)
GP1 – 59	Dispensing Hose Protective Cover (Not Pictured)
GP1 – 60	Complete Dispensing Wand Assembly As Shown

# Additional Components

<b>Part #</b>	<b>Description</b>
GP1 – 62	Coarse Thread Manifold Night Cap
GP1 – 63	Fine Thread Manifold Night Cap
GP1 – 64	2:1 Pumping Sprocket
GP1 – 65	2:1 Drive Chain
GP1 – 66	24 Volt Battery Harness (Optional)